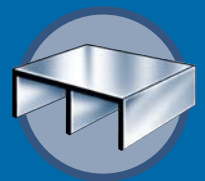
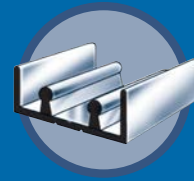
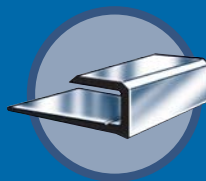
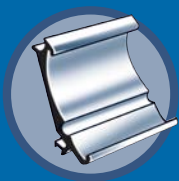
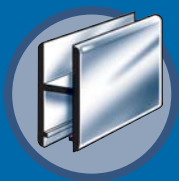
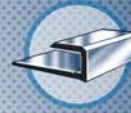


**RIGHT SHAPES
RIGHT PRICE
RIGHT NOW**





TERMS AND CONDITIONS OF SALE

SECTION 1

STANDARD SHAPES/STRUCTURAL SHAPES

SECTION 2

MIRROR, GLASS AND PANEL TRIM

SECTION 3

SLIDING TRACK SYSTEMS

SECTION 4

ASSORTED FIXTURE TRIM

SECTION 5

SHOWER ENCLOSURE

SECTION 6

TICKET MOULDING

SECTION 7

GLASS RAILING SYSTEM

SECTION 8

EX SIGN EXTRUSIONS

SECTION 9

ROLLER SHADE EXTRUSIONS



Terms and Conditions of Sale

1. Orders

- a. All orders are accepted and delivered only subject to these Terms and Conditions of Sale. Should there exist a contradiction between the Customer's and Extrude-A-Trim's Terms and Conditions of Sale, Extrude-A-Trim's Terms and Conditions of Sale will govern;
- b. Prices are subject to change without notice. All taxes are in addition to the selling price;
- c. Extrude-A-Trim means Extrude-A-Trim Inc. and Customer means the purchaser of the goods.

2. Title/Risk of Loss/Insurance

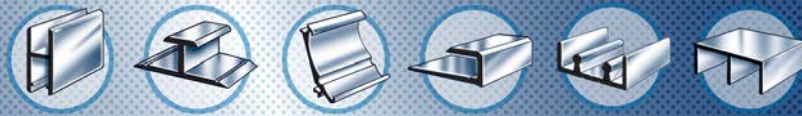
Title to and risk of loss of the goods shall pass from Extrude-A-Trim to Customer when the goods, whether manufactured by Extrude-A-Trim or another, are placed in the possession of the carrier for shipment to Customer. Prior to shipment, Customer shall ensure that the goods are adequately insured from the time the risk of loss passes to Customer and continuously thereafter until all amounts due Extrude-A-Trim are paid in full. Customer grants a security interest in the goods until all unpaid amounts owing to Extrude-A-Trim have been paid.

3. Customer's Remedy

Extrude-A-Trim's sole responsibility and liability and Customer's exclusive remedy shall be limited to the repair or replacement of goods or, at Extrude-A-Trim's option, return of the goods and refund of moneys paid thereon, without interest. IN NO EVENT SHALL EXTRUDE-A-TRIM BE LIABLE FOR INCIDENTAL, CONSEQUENTIAL, OR EXEMPLARY DAMAGES OR LEGAL FEES. Extrude-A-Trim's obligation hereunder is subject to receipt of written notice of defect from Customer within thirty (30) days after such alleged defect shall be reasonably apparent to Customer. If the written notice is not given within the prior time period, then remedy of the Customer, whether under these Terms and Conditions or under any other right shall end.

4. Custom Orders

- a. "Custom Order" means any goods ordered or manufactured by Extrude-A-Trim for the Customer for the Customer's specific needs, including but not limited to fabricated material such as anodizing, painting, punching, bending, cutting and/or drilling;
- b. All orders of 500 kgs and over are subject to a shipping tolerance of plus or minus 15%. If Customer requests in writing: Do not under ship or other similar words, then the order will be subject to a shipping tolerance of as much as plus 20%. If Customer requests in writing: Do not over ship or other similar words, then the order will be subject to a shipping tolerance of as much as minus 20%. Customer agrees that a shipment within these tolerances is fulfillment by Extrude-A-Trim of the order;
- c. The buyer understands that all dies, tools, jigs, machinery and fixtures, are the seller's property and remain in the seller's possession even though the buyer is charged for such items. The charge is for the exclusive use of these items only. The seller will maintain these items for a period of 1 year after the completion of the most recent order provided the buyer does not become insolvent, bankrupt, make an assignment to creditors, let its credit account become in arrears or stop making current purchases. After 1 year from completion of the most current order on any particular tool, the seller may destroy or otherwise use these items without reference or accounting to the buyer;
- d. The Customer and Extrude-A-Trim agree that the price shall be increased or decreased proportionately within the shipping tolerances;
- e. The Customer agrees that any Custom Order cannot be returned and Customer cannot refuse to accept any Custom Order.



Terms and Conditions of Sale

5. Delay or Nonperformance

Extrude-A-Trim shall not be liable for failure or delay in its performance hereunder due in whole or in part to strikes, work stoppages, fires, acts of terrorism, accidents, acts, rebellions, civil commotion, public strife, acts of any government whether legal or otherwise, acts of public enemies, force majeure, inability to secure or delay in securing transportation, inability to obtain or delays in obtaining goods, materials, or qualified labor, or any other causes beyond Extrude-A-Trim's reasonable control including, without limitation, delays or inability to obtain product because of the actions of Extrude-A-Trim supplier.

6. Default

Customer shall be in default under this Agreement if any of the following occurs:

- a. Customer refuses to accept shipment or fails to make any payment when due;
- b. Customer dies, ceases to exist, becomes insolvent or the subject of bankruptcy, insolvency, or liquidation proceedings;
- c. Any representation, warranty, condition or certification of Customer or any information provided by Customer in or pursuant to this Agreement is false in any material respect when made;
- d. Extrude-A-Trim, in good faith, considers that payment or performance of any obligation of Customer to Extrude-A-Trim arising out of this Agreement or any other agreement between Customer and Extrude-A-Trim or any affiliate of Extrude-A-Trim is at risk.

7. Remedies Upon Default

In the event of Customer's default:

- a. Customer shall pay Extrude-A-Trim interest at the rate of 24% per annum on all unpaid amounts and all unpaid amounts shall be immediately due and payable;
- b. Extrude-A-Trim may take immediate possession of any of the goods and may suspend or cancel shipments to Customer;
- c. Waiver, whether in writing or not, by Extrude-A-Trim of any breach or default shall not constitute a waiver of any subsequent breach or default;
- d. Extrude-A-Trim shall be entitled to set off any amount owed by Customer or any of Customer's related entities against amount owed by Customer or any of Customer's related entities against any amount owing or to be owed by Extrude-A-Trim to Customer; and
- e. Extrude-A-Trim shall have all the rights and remedies provided by law in addition to all other rights as established herein, which rights and remedies shall be cumulative.

8. Warranty

EXTRUDE-A-TRIM MAKES NO OTHER REPRESENTATIONS OR WARRANTIES OR CONDITIONS, EXPRESS OR IMPLIED, EXCEPT AS PROVIDED IN WRITING SIGNED BY AN AUTHORIZED REPRESENTATIVE OF EXTRUDE-A-TRIM AND SPECIFICALLY EXCLUDES ALL LEGAL OR IMPLIED WARRANTIES INCLUDING, WITHOUT LIMITATION, ANY WARRANTY AS TO MERCHANTABILITY OR FITNESS FOR A PARTICULAR PURPOSE. Customer shall hold Extrude-A-Trim harmless and indemnify Extrude-A-Trim for any claims arising out of or relating to the design, specification or use of product sold by Extrude-A-Trim.

9. General

- a. Interest shall be charged at the rate of 24% annually (similar to 2% monthly) on all over due accounts.
- b. **Dispute Resolution/Governing Law** The validity, construction, and enforcement of this Agreement are covered by the laws of the Province of Ontario, Canada and the parties agree that the Province of Ontario is the sole jurisdiction where any court or other action shall be started. Customer must institute any action against Extrude-A-Trim within one (1) year after Customer's claim arises, or, subject to applicable law, such claim shall be barred notwithstanding any statutory limitations to the contrary.
- c. Extrude-A-Trim may assign its rights and obligations under these Terms and Conditions of sale or any agreement, whether oral or in writing, between the Customer and Extrude-A-Trim, while the Customer may assign its rights and obligations only with the written consent of Extrude-A-Trim.

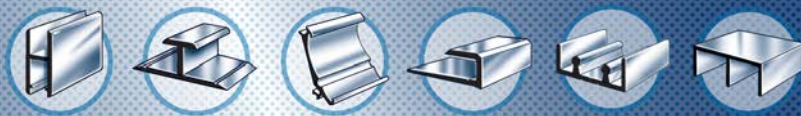


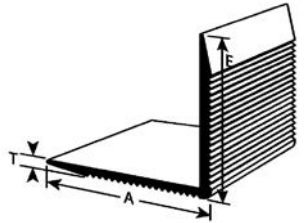
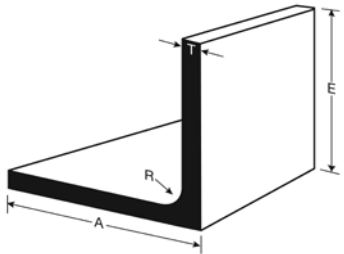
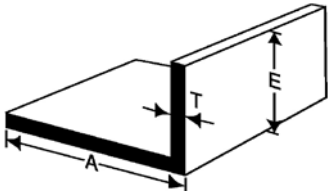
DRAWING	PART NUMBER	DIMENSIONS				LENGTH	FINISH
		E	A	T	I/R		
ANGLES - Equal Leg - Architectural							
	IE 1207	5/8"	5/8"	1/16"		4', 6', 12'	AN
	IE 1208	13/16"	13/16"	0.060"		4', 6', 12'	AN
	IE 1209	1/2"	1/2"	1/16"		8' 4', 6', 12' 21'	AN, BC AN, BC, BK, SB, SS ML
	IE 1210	1/2"	1/2"	0.045"		4', 6', 12'	AN
	IE 1212	3/4"	3/4"	0.045"		4', 6', 12'	AN
	IE 1213	3/4"	3/4"	1/16"		8' 4', 6', 12' 21', 24'	AN, BC, SB AN, BC, BK, BS, SB, SS ML
	IE 1214	1"	1"	0.045"		4', 6' 12'	AN AN, BC
	IE 1215	1"	1"	1/16"		8' 4', 6', 12' 21'	AN, BC, SB AN, BC, BK, BS, SB, SS ML
	IE 1216	1 1/4"	1 1/4"	1/16"		4', 6' 12'	AN, SB AN*, ML, SB
	IE 1218	1 1/2"	1 1/2"	1/16"		4', 6', 12'	AN
	IE 1232	3/4"	3/4"	1/8"		4', 6', 12' 21', 24'	AN, SB ML
	IE 1234	1"	1"	1/8"		4', 6' 8', 12' 21', 24'	AN, SB AN ML
	IE 1235	1 1/4"	1 1/4"	1/8"		21', 24'	ML
	IE 1236	1 1/2"	1 1/2"	1/8"		4', 6' 8' 12' 21', 24'	AN AN, BC AN, BC, SS ML
	IE 1238	2"	2"	1/8"		4', 6' 12' 21', 24'	AN, SB AN ML
	IE 1240	3"	3"	1/8"		4', 6', 12', 24'	AN
	IE 1241	3 1/2"	3 1/2"	1/8"		24'	ML
	IE 1244	1 1/2"	1 1/2"	1/4"		4', 6', 12'	AN
	IE 1250	2"	2"	1/4"		4', 6', 12'	AN

NOTE: *IE 1216, 12' AN only – T dimension is 0.055"

NOTE: Minimum order quantities may apply on 20ft, 21ft and 24ft material.

FINISHES: AN-Anodized, BC-Brite Clear, BK-Brite Black, BS-Brass, ML-Mill, SB-Satin Black, SS-Stainless Steel Brushed



DRAWING	PART NUMBER	DIMENSIONS				LENGTH	FINISH
		E	A	T	I/R		
ANGLES - Equal Leg - Architectural							
	IE 5892	1 1/2"	1 1/2"	3/32"		4', 6', 12'	ML
ANGLES - Rounded Inside Equal Leg - Structural							
	IE 1316	1 1/4"	1 1/4"	1/8"	0.125"	20'	ML
	IE 1334	1"	1"	1/8"	0.125"	20'	ML
	IE 1336	1 1/2"	1 1/2"	1/8"	0.125"	20'	ML
	IE 1338	2"	2"	1/8"	0.125"	20'	ML
	IE 1339*	2 1/2"	2 1/2"	3/16"	0.188"	20'	ML
	IE 1344	1 1/2"	1 1/2"	1/4"	0.250"	20'	ML
	IE 1350	2"	2"	1/4"	0.250"	20'	ML
	IE 1351	2 1/2"	2 1/2"	1/4"	0.250"	20'	ML
	IE 1352	3"	3"	1/4"	0.250"	20'	ML
	IE 1354	4"	4"	1/4"	0.250"	20'	ML
	IE 1356	6"	6"	3/8"	0.375"	20'	ML
	IE 1362	2"	2"	3/8"	0.375"	20'	ML
ANGLES - Unequal Leg - Architectural							
	IE 1406	1/4"	3/4"	1/16"		4', 6' 12'	AN AN, BC
	IE 1408	3/8"	7/8"	1/16"		4', 6', 12'	AN, BZ, SB
	IE 1410	1/2"	3/4"	0.050"		8' 4', 6', 12'	AN AN, BC
	IE 1411	1/2"	1"	1/16"		8' 4', 6', 12'	AN AN, BC, SS
	IE 1412	1"	1 1/2"	1/16"		4', 6', 12'	AN
	IE 1413	3/4"	1"	0.062"		4', 6', 12'	AN
	IE 1414	1"	2"	1/16"		4', 6', 12'	AN
	IE 1416	3/4"	1 1/2"	1/16"		4', 6' 8' 12'	AN, SB SB AN, BC, SB

*Min. 550 lb. order is required.

NOTE: Minimum order quantities may apply on 20ft, 21ft and 24ft material.

FINISHES: AN-Anodized, BC-Brite Clear, BZ-Bronze, ML-Mill, SB-Satin Black, SS-Stainless Steel Brushed



DRAWING	PART NUMBER	DIMENSIONS				LENGTH	FINISH
		E	A	T	I/R		
ANGLES - Unequal Leg - Architectural							
	IE 1432	1/2"	1"	1/8"		4', 6' 12'	AN, SB AN
	IE 1434	3/4"	1"	1/8"		4', 6', 12' 21', 24'	AN ML
	IE 1435	3/4"	1 1/2"	1/8"		4', 6' 8' 12' 21'	AN, SS AN AN, BC, SS ML
	IE 1436	1"	1 1/2"	1/8"		4', 6', 12' 21'	AN ML
	IE 1437	1 1/2"	2"	1/8"		21', 24'	ML
	IE 1438	1"	2"	1/8"		4', 6' 12' 21', 24'	AN, SB AN ML
	IE 1440	1"	3"	1/8"		4', 6', 12' 21', 24'	AN ML
	IE 1446	2"	4"	1/8"		12'	AN
	IE 1460	3/4"	4 1/4"	0.075"		10'	BC, SS
	ANGLES - Rounded Inside Unequal Leg - Structural						
	IE 1537	2"	1 1/2"	1/4"	0.250"	20'	ML
	IE 1544	2 1/2"	1 1/2"	1/4"	0.250"	20'	ML
	IE 1545	3"	2"	1/4"	0.250"	20'	ML
	IE 1548	1 1/2"	2 1/2"	3/16"	0.187"	20'	ML
	IE 1560	3"	5"	1/4"	0.250"	20', 24'	ML

NOTE: Minimum order quantities may apply on 20ft, 21ft and 24ft material.

FINISHES: AN-Anodized, BC-Brite Clear, BS-Brass, ML-Mill, SB-Satin Black, SS-Stainless Steel Brushed



DRAWING	PART NUMBER	DIMENSIONS				LENGTH	FINISH
		E	A	T	I/R		
CHANNEL - Architectural							
	IE 1605	1/4"	1/4"	1/16"	0.125"	4', 6', 12'	AN, ML
	IE 1610	3/8"	3/8"	1/16"	1/4"	4', 6', 8', 12'	AN, BC, SS AN, SS AN, BC, BS, SS
	IE 1611	3/8"	1/2"	1/16"	0.375"	4', 6', 12'	AN
	IE 1612	1/2"	3/8"	0.045"	0.270"	4', 6', 12'	AN, BC, SS
	IE 1613	1 1/4"	1/2"	1/16"	3/8"	4', 6', 12'	AN
	IE 1614	1/2"	1/2"	1/16"	3/8"	4', 6', 8', 12', 24'	AN, BC, SB AN, BC ML
	IE 1615	3/4"	0.524"	1/16"	0.398"	4', 6', 8', 12'	BC, SS
	IE 1616	5/8"	5/8"	1/16"	1/2"	4', 6', 8', 12'	AN, BC
	IE 1617	5/8"	3/4"	1/16"	5/8"	8', 4', 6', 12'	AN AN, BC
	IE 1618	5/8"	7/8"	1/16"	3/4"	4', 6', 8', 12'	AN, BC, SB AN, BC AN, BC, BS, SB
	IE 1619	5/8"	1"	1/16"	7/8"	4', 6', 12'	AN
	IE 1620	5/8"	1 1/8"	0.055"	1"	4', 6', 12'	AN AN, BZ
	IE 1621	3/4"	9/16"	0.060"	7/16"	4', 6', 8', 12'	AN, BC, BK, SB, SS AN, SS AN, BC, BK, BS, BZ, SS
	IE 1622	3/8"	9/16"	1/16"	7/16"	4', 6', 12'	AN, BC AN, BK
	IE 1623	3/4"	3/4"	1/16"	5/8"	4', 6', 12'	AN
	IE 1624	1"	5/8"	1/16"	1/2"	4', 6', 8', 12'	AN, BC, SB, SS AN, BC AN, BC, BK, BS

NOTE: Minimum order quantities may apply on 20ft, 21ft and 24ft material.

FINISHES: AN-Anodized, BC-Brite Clear, BK-Brite Black, BS-Brass, BZ-Bronze, ML-Mill, SB-Satin Black, SS-Stainless Steel Brushed



DRAWING	PART NUMBER	DIMENSIONS				LENGTH	FINISH
		E	A	T	I/R		
CHANNEL - Architectural							
	IE 1633	3/4"	3/4"	3/32"	9/16"	4', 6', 12'	AN, BC
	IE 1634	3/4"	3/4"	1/8"	1/2"	4', 6', 12' 21', 24'	AN ML
	IE 1636	3/4"	1"	1/8"	3/4"	4', 6', 12'	AN
	IE 1638	1/2"	1"	1/8"	3/4"	4', 6', 12' 21', 24'	AN ML
	IE 1639	5/8"	1 1/4"	1/8"	1"	4', 6', 12'	AN
	IE 1640	1/2"	1 1/2"	1/8"	1 1/4"	4', 6', 12' 21', 24'	AN ML
	IE 1641	1/2"	3/4"	1/8"	1/2"	4', 6', 12'	AN
	IE 1642	1"	1"	1/8"	3/4"	4', 6' 12' 21', 24'	AN, BC, SB, SS AN, BC, SS ML
	IE 1643	1 1/2"	1"	1/8"	3/4"	4', 6' 12' 24'	AN, BC, SB, SS AN, BC, SS ML
	IE 1644	1"	1 1/2"	1/8"	1 1/4"	4', 6', 8' 12' 24'	AN AN, ML ML
	IE 1645	3/4"	1 3/4"	0.090"	1 1/2"	4', 6', 12'	AN
	IE 1646	1"	2"	1/8"	1 3/4"	4', 6', 12' 24'	AN ML
	IE 1647	1/2"	2"	1/8"	1 3/4"	4', 6', 12'	AN, SB
	IE 1648	1"	3"	1/8"	2 3/4"	4', 6', 12'	AN
	IE 1650	2"	1"	1/8"	3/4"	4', 6' 12' 24'	AN, SB, SS AN, SS ML
	IE 1651	1 1/2"	1 1/2"	1/8"	1 1/4"	21', 24'	ML
	IE 1654	2"	1 3/4"	1/8"	1 1/2"	4', 6', 12'	AN

NOTE: Minimum order quantities may apply on 20ft, 21ft and 24ft material.

FINISHES: AN-Anodized, BC-Brite Clear, ML-Mill, SB-Satin Black, SS-Stainless Steel Brushed



DRAWING	PART NUMBER	DIMENSIONS				LENGTH	FINISH
		E	A	T	I/R		
CHANNEL - Rounded Outside - Architectural							
	IE 1625*	3/8"	9/16"	0.080"	0.403"	4', 6' 12'	BC
	IE 1626*	3/8"	0.678"	0.080"	0.518"	4', 6', 12'	AN, BC, SB, SS
	IE 1627*	3/4"	9/16"	0.080"	0.403"	4', 6', 98", 12'	AN, BC, SB, SS
	IE 1628*	3/4"	0.678"	0.080"	0.518"	4', 6', 12'	AN, BC, SB, SS
CHANNEL - Rounded Inside - Structural							
	IE 1729	1 1/2"	2"	1/8"	0.125"	24'	ML
	IE 1754	2"	3"	1/4"	0.188"	20'	ML
	IE 1755	2"	4"	3/16"	0.375"	20'	ML
	IE 1756	1 1/2"	3"	1/4"	0.312"	20'	ML
	IE 1757	2"	6"	0.281"	0.437"	24'	ML
	IE 1760	2"	4"	1/4"	0.250"	24'	ML
	IE 1776	3"	8"	9/32"	0.500"	24'	ML
	IE 1778	2 1/2"	6"	1/4"	0.437"	20'	ML
	IE 1782	3"	10"	9/32"	0.562"	20'	ML
T BAR - Architectural							
	IE 1830	3/4"	3/4"	1/8"		4', 6', 12'	AN
	IE 1831	1"	2"	1/8"		4', 6', 12'	ML
	IE 1832	1"	1"	1/8"		4', 6', 12'	AN, ML
	IE 1834	2"	2"	1/8"		4', 6', 12'	AN
	IE 1837	2"	1"	0.118"		4', 6', 12'	ML
T BAR - Rounded Inside - Structural							
	IE 1936	1 1/2"	1 1/2"	3/16"	0.188"	12', 24'	ML
	IE 1938	2"	2"	1/4"	0.250"	24'	ML

*Radius Dimensions: R1 - 0.031", R2 - 0.063", R3 - 0.031"

NOTE: Minimum order quantities may apply on 20ft, 21ft and 24ft material.

FINISHES: AN-Anodized, BC-Brite Clear, ML-Mill, SB-Satin Black, SS-Stainless Steel Brushed



DRAWING	PART NUMBER	DIMENSIONS				LENGTH	FINISH
		E	A	T	I/R		
SOLID BAR - Half Oval							
	IE 2013	9/64"	3/8"			4', 6', 12'	AN
	IE 2014	9/64"	1/2"			12'	AN, BC
	IE 2016	3/16"	3/4"			4', 6', 12'	AN, BC
	IE 2018	3/16"	1"			4', 6', 12'	AN
SOLID BAR - Square							
	IE 2406	1/4"	1/4"			4', 6', 12'	AN, BC AN, BC, ML
	IE 2408	1/2"	1/2"			4', 6', 12'	AN AN, ML
	IE 2409	3/4"	3/4"			12'	ML
	IE 2466	1"	1"			12'	ML
	IE 2490	1 1/2"	1 1/2"			12'	ML
SOLID BAR - Rectangular							
	IE 2312	1/16"	1/2"			6', 12'	AN AN, ML
	IE 2314	1/16"	3/4"			4', 6', 12'	AN AN, ML
	IE 2316	1/16"	1"			4', 6', 12'	AN, ML
	IE 2318	1/16"	1 1/2"			4', 6', 12'	AN, ML
	IE 2410	1/8"	3/8"			4', 6', 12'	AN AN, BC
	IE 2412	1/8"	1/2"			4', 6', 8', 12'	AN, BC, BK
	IE 2413	1/8"	5/8"			4', 6', 12'	AN
	IE 2414	1/8"	3/4"			4', 6', 8', 12', 20'	AN, BC, BS, SB AN AN, BC ML
	IE 2416	1/8"	1"			4', 6', 12', 8', 20', 24'	AN, BC, SB AN ML

NOTE: Minimum order quantities may apply on 20ft, 21ft and 24ft material.

FINISHES: AN-Anodized, BC-Brite Clear, BK-Brite Black, BS-Brass, ML-Mill, SB-Satin Black



STANDARD SHAPES

DRAWING	PART NUMBER	DIMENSIONS				LENGTH	FINISH
		E	A	T	I/R		
SOLID BAR - Rectangular							
	IE 2418	1/8"	1 1/2"			4', 6' 12' 20', 24'	AN, BC AN, BC, BZ, SB ML
	IE 2420	1/8"	2"			4', 6' 12' 20', 24'	AN AN, BS ML
	IE 2421	1/4"	1/2"			20'	ML
	IE 2426	1/8"	3"			4', 6', 12' 20'	AN ML
	IE 2428	1/8"	4"			4', 6', 12' 20'	AN ML
	IE 2429	1/4"	3/4"			12' 20'	AN, ML ML
	IE 2430	1/4"	1"			4', 6' 12' 20'	AN AN, BC, ML ML
	IE 2431*	1/4"	1 3/4"			12', 20'	ML
	IE 2432	1/4"	1 1/2"			4', 6' 12' 20'	AN AN, ML ML
	IE 2434	1/4"	2"			4', 6', 12' 20'	AN, ML ML
	IE 2436	3/8"	3/4"			12', 20'	ML
	IE 2437	1/4"	3"			12'	ML
	IE 2438	3/8"	1"			12', 20'	ML
	IE 2439	1/4"	4"			12', 20'	ML
	IE 2440	1/4"	5"			12', 20'	ML
	IE 2441	3/4"	1"			10', 12', 20'	ML
	IE 2442	1/2"	3/4"			12', 20', 24'	ML
	IE 2443	1/4"	6"			12', 20'	ML
	IE 2444	1/2"	1"			12', 20'	ML

*Min. 550 lb. order required on 12ft length only.

NOTE: Minimum order quantities may apply on 20ft, 21ft and 24ft material.

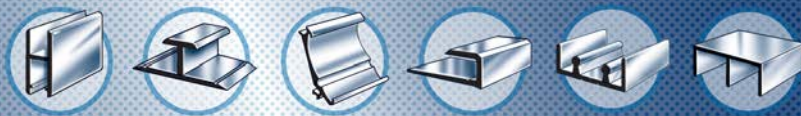
FINISHES: AN-Anodized, BC-Brite Clear, BS-Brass, BZ-Bronze, ML-Mill, SB-Satin Black



DRAWING	PART NUMBER	DIMENSIONS				LENGTH	FINISH
		E	A	T	I/R		
SOLID BAR - Rectangular							
	IE 2446	3/8"	2 1/2"			20'	ML
	IE 2447	3/16"	2 1/2"			20'	ML
	IE 2448	1/2"	1 1/2"			12', 20'	ML
	IE 2449	1/4"	3 1/2"			12', 20'	ML
	IE 2450	1/2"	2"			12', 20'	ML
	IE 2454	3/8"	1 1/2"			12', 20'	ML
	IE 2455	1/2"	3"			12', 20'	ML
	IE 2458	3/4"	3"			12', 20'	ML
	IE 2459	1/2"	4"			12', 20'	ML
	IE 2460	1/2"	5"			12'	ML
	IE 2461	1/4"	1 1/2"			12', 20'	ML
	IE 2468	1/4"	8"			12', 20'	ML
	IE 2470	1"	1 1/2"			12', 20'	ML
	IE 2473	3/8"	3"			12'	ML
	IE 2480	1"	2"			12', 20'	ML
IE 2482	1"	3"			12', 20'	ML	
SOLID BAR - Round							
	IE 2809	15/64"				12'	ML
	IE 2810	1/4"				4', 6' 12'	AN, BC, AN, BC, ML
	IE 2812	3/8"				4', 12' 24'	AN, ML ML
	IE 2814	1/2"				4', 6' 12'	AN ML
	IE 2815	5/8"				12'	ML
	IE 2816	3/4"				12'	BC, ML
	IE 2817	7/8"				12'	ML
	IE 2818	1"				12'	ML
	IE 2822	1 1/2"				12'	ML
	IE 2824	2"				12'	ML
	IE 2826	2 1/2"				12'	ML
	IE 2828	3"				12'	ML

NOTE: Minimum order quantities may apply on 20ft, 21ft and 24ft material.

FINISHES: AN-Anodized, BC-Brite Clear, ML-Mill



DRAWING	PART NUMBER	DIMENSIONS				LENGTH	FINISH
		E	A	T	I/R		
HOLLOW TUBE - Round							
	IE 3009	0.480"	0.039"			12'	ML
	IE 3012	1/2"	0.050"			4', 6', 12'	AN, BC
	IE 3014	5/8"	0.065"			4', 6', 12'	AN
	IE 3016	3/4"	0.050"			4', 6', 12'	AN
	IE 3017	3/4"	0.065"			12'	AN
						21'	ML
	IE 3018	7/8"	1/16"			4', 6', 12'	AN
						21'	ML
	IE 3030	1"	0.050"			4', 6', 12'	AN
	IE 3034	1 1/2"	1/16"			4', 6', 12'	AN
						12', 24'	ML
	IE 3036*	2"	1/16"			12'	AN, ML
						20'	ML
	IE 3038	3"	1/16"			12'*	ML
	IE 3039	2"	1/8"			20'	ML
	IE 3040	1"	1/8"			12', 20'	ML
	IE 3042	1 1/2"	1/8"			12'	AN, ML
						20'	ML
	IE 3043	2 1/2"	1/16"			12'*	AN, ML
	IE 3044	2 1/2"	1/8"			12'*	AN, ML
IE 3046	3"	1/8"			12', 20'	ML	
IE 3048	4"	1/8"			12'	AN, ML	
					20'	ML	
IE 3050*	5"	1/8"			12'	AN, ML	
					20'	ML	
IE 3060	6"	1/8"			12'	AN, ML	

*Min. 550 lb. order is required on ML only.

NOTE: While some of our Round, Square and Rectangular Hollow Tubes might seem like they can fit inside one another, the only Tubes we guarantee will marry together are our Telescopic Tubes. All other Hollow Tubes are industry standard profiles that have not been designed to fit together.

NOTE: Minimum order quantities may apply on 20ft, 21ft and 24ft material.

FINISHES: AN-Anodized, BC-Brite Clear, ML-Mill

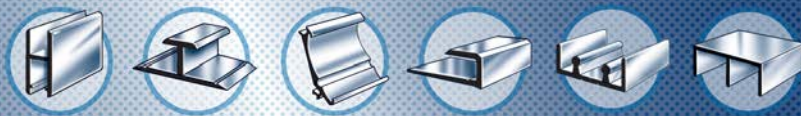


DRAWING	PART NUMBER	DIMENSIONS				LENGTH	FINISH
		E	A	T	I/R		
HOLLOW TUBE - Square							
	IE 3210	1/2"	1/2"	1/16"		4', 6' 12'	AN AN, ML
	IE 3211	5/8"	5/8"	1/16"		4', 6' 12'	AN AN, ML
	IE 3212	3/4"	3/4"	0.050"		4', 6', 12'	AN
	IE 3214	1"	1"	1/16"		4', 6' 12', 21' 24'	AN, BC AN, ML ML
	IE 3216	1 1/2"	1 1/2"	0.050"		4', 6' 4', 8' 12'	AN BC AN, ML
	IE 3228	3/4"	3/4"	1/8"		12' 20'	BZ AN, ML
	IE 3230	1"	1"	0.120"		4', 6' 12' 21', 24'	AN AN, ML AN, ML
	IE 3233	1 1/2"	1 1/2"	0.095"		21', 24'	ML
	IE 3234	1 1/2"	1 1/2"	1/8"		4', 6', 12' 21'	AN ML
	IE 3235	1 3/4"	1 3/4"	0.120"		21', 24'	ML
	IE 3236	2"	2"	1/8"		4', 6' 12', 20', 21', 24'	AN ML
	IE 3239	2 1/2"	2 1/2"	1/8"		12', 24'	ML
	IE 3240	3"	3"	0.125"		24'	ML
	IE 3260	4"	4"	1/4"		20'	ML

NOTE: While some of our Round, Square and Rectangular Hollow Tubes might seem like they can fit inside one another, the only Tubes we guarantee will marry together are our Telescopic Tubes. All other Hollow Tubes are industry standard profiles that have not been designed to fit together.

NOTE: Minimum order quantities may apply on 20ft, 21ft and 24ft material.

FINISHES: AN-Anodized, BC-Brite Clear, BZ-Bronze, ML-Mill



DRAWING	PART NUMBER	DIMENSIONS				LENGTH	FINISH
		E	A	T	I/R		
HOLLOW TUBE - Rectangular							
	IE 3410	1"	1.5"	1/8"		12' 21'	AN, ML ML
	IE 3411*	1"	2"	0.095"		24'	ML
	IE 3412	1"	2"	1/8"		4', 6' 12'	AN AN, ML
	IE 3413	1"	2"	1/8"		24'	AN, ML
	IE 3414	1"	3"	0.120"		12' 24'	AN, ML ML
	IE 3416	1 1/4"	3"	1/8"		4', 6', 12'	AN
	IE 3419	1"	4"	1/8"		24'	ML
	IE 3420	2"	4"	1/8"		12'* 21' 24'	ML AN, ML ML
	IE 3423	1 1/2"	2"	1/8"		24'	ML
	IE 3426	2"	6"	1/8"		24'	ML
	IE 3428	1 3/4"	4"	1/8"		12'*	ML
	IE 3430	1 3/4"	5"	1/8"		12'*	ML
	IE 3433	1 3/4"	4"	3/32"		12'*	ML
	IE 3434	1 3/4"	4 1/2"	0.090"		21'*	ML
	HOLLOW TUBE - Telescopic (IE3213, IE3215 and IE3232 are the only telescopic tubes designed to fit together)						
	IE 3213	3/4"	3/4"	0.100"	**	12', 24'	ML
	IE 3215	1 1/4"	1 1/4"	0.090"	**	12', 24'	ML
	IE 3217	1 1/4"	1 1/4"	0.120"	**	12', 24'	ML
	IE 3219	1.530"	1.530"	1/8"	**	12', 24'	ML
	IE 3220	1"	1"	0.062"	**	12', 24'	ML
	IE 3232	1"	1"	0.120"	**	12', 24'	ML
	IE 3237	2"	2"	0.120"	**	20'	ML

*Min. 550 lb. order is required.

** Radius Dimensions:

P/No.	Outside radius	Inside radius
IE-3213	0.100"	0.100"
IE-3215	0.188"	0.098"
IE-3217	0.188"	0.068"
IE-3219	0.200"	0.200"
IE-3220	0.162"	0.100"
IE-3232	0.120"	0.120"
IE-3237	0.188"	0.250"

NOTE: While some of our Round, Square and Rectangular Hollow Tubes might seem like they can fit inside one another, the only Tubes we guarantee will marry together are our Telescopic Tubes. All other Hollow Tubes are industry standard profiles that have not been designed to fit together.

NOTE: Minimum order quantities may apply on 20ft, 21ft and 24ft material.

FINISHES: AN-Anodized, ML-Mill



DRAWING	PART NUMBER	DIMENSIONS				LENGTH	FINISH
		E	A	T	I/R		
THRESHOLD							
	IE 5824***	1/4"	4"			3', 4', 6', 12'	ML
	IE 5825***	1/4"	5"			3', 4', 6', 12'	ML
	IE 5826***	1/4"	6"			3', 4', 6', 12'	ML
	IE 5834***	1/2"	4"			3', 4', 6', 12'	ML
	IE 5835***	1/2"	5"			3', 4', 6', 12'	ML
	IE 5836***	1/2"	6"			3', 4', 6', 12'	ML
	IE 5847	0.185"	2 1/2"			4', 6', 12'	ML

*****Threshold Details:**

3, 4 and 6 foot lengths are drilled.
12 foot lengths are not drilled.



DRAWING	PART NUMBER	DESCRIPTION								
J CAP										
	FR 0230	ALUMINUM CAP FOR 1/16" MATERIAL <table border="1"> <thead> <tr> <th>LENGTH</th> <th>FINISH</th> </tr> </thead> <tbody> <tr> <td>4', 6', 12'</td> <td>AN, BC</td> </tr> </tbody> </table>	LENGTH	FINISH	4', 6', 12'	AN, BC				
LENGTH	FINISH									
4', 6', 12'	AN, BC									
	FR 0330	ALUMINUM CAP FOR 7/64" MATERIAL <table border="1"> <thead> <tr> <th>LENGTH</th> <th>FINISH</th> </tr> </thead> <tbody> <tr> <td>4', 6', 12'</td> <td>AN</td> </tr> </tbody> </table>	LENGTH	FINISH	4', 6', 12'	AN				
LENGTH	FINISH									
4', 6', 12'	AN									
	FR 0430	ALUMINUM CAP FOR 5/32" MATERIAL <table border="1"> <thead> <tr> <th>LENGTH</th> <th>FINISH</th> </tr> </thead> <tbody> <tr> <td>4', 6', 12'</td> <td>AN</td> </tr> </tbody> </table>	LENGTH	FINISH	4', 6', 12'	AN				
LENGTH	FINISH									
4', 6', 12'	AN									
	FR 2132	ALUMINUM BOTTOM RAIL CAP FOR 1/4" MATERIAL <table border="1"> <thead> <tr> <th>LENGTH</th> <th>FINISH</th> </tr> </thead> <tbody> <tr> <td>4', 6'</td> <td>AN, BC, BK, SB, SS</td> </tr> <tr> <td>8'</td> <td>BC</td> </tr> <tr> <td>12'</td> <td>AN, BC, BZ</td> </tr> </tbody> </table>	LENGTH	FINISH	4', 6'	AN, BC, BK, SB, SS	8'	BC	12'	AN, BC, BZ
LENGTH	FINISH									
4', 6'	AN, BC, BK, SB, SS									
8'	BC									
12'	AN, BC, BZ									
	FR 2135	ALUMINUM CAP FOR 3/8" MATERIAL <table border="1"> <thead> <tr> <th>LENGTH</th> <th>FINISH</th> </tr> </thead> <tbody> <tr> <td>4', 6'</td> <td>AN</td> </tr> <tr> <td>12'</td> <td>AN, BC</td> </tr> </tbody> </table>	LENGTH	FINISH	4', 6'	AN	12'	AN, BC		
LENGTH	FINISH									
4', 6'	AN									
12'	AN, BC									

FINISHES: AN-Anodized, BC-Brite Clear, BK-Brite Black, BZ-Bronze, SB-Satin Black, SS-Stainless Steel Brushed



DRAWING	PART NUMBER	DESCRIPTION								
J CAP										
	FR 2136	<p>ALUMINUM TOP CAP FOR 1/2" MATERIAL</p> <table border="1"> <thead> <tr> <th>LENGTH</th> <th>FINISH</th> </tr> </thead> <tbody> <tr> <td>4', 6'</td> <td>AN, BC</td> </tr> <tr> <td>12'</td> <td>AN</td> </tr> </tbody> </table>	LENGTH	FINISH	4', 6'	AN, BC	12'	AN		
LENGTH	FINISH									
4', 6'	AN, BC									
12'	AN									
	FR 2137	<p>ALUMINUM BOTTOM CAP FOR 5/16" MATERIAL</p> <table border="1"> <thead> <tr> <th>LENGTH</th> <th>FINISH</th> </tr> </thead> <tbody> <tr> <td>12'</td> <td>AN, BC, BS</td> </tr> </tbody> </table>	LENGTH	FINISH	12'	AN, BC, BS				
LENGTH	FINISH									
12'	AN, BC, BS									
	FR 2138	<p>ALUMINUM BOTTOM CAP FOR 3/4" MATERIAL</p> <table border="1"> <thead> <tr> <th>LENGTH</th> <th>FINISH</th> </tr> </thead> <tbody> <tr> <td>4', 6', 12'</td> <td>AN</td> </tr> </tbody> </table>	LENGTH	FINISH	4', 6', 12'	AN				
LENGTH	FINISH									
4', 6', 12'	AN									
	FR 3132	<p>ALUMINUM TOP RAIL CAP FOR 1/4" MATERIAL</p> <table border="1"> <thead> <tr> <th>LENGTH</th> <th>FINISH</th> </tr> </thead> <tbody> <tr> <td>4', 6'</td> <td>AN, BC, BK, SB, SS</td> </tr> <tr> <td>8'</td> <td>BC, BS</td> </tr> <tr> <td>12'</td> <td>AN, BC, SS</td> </tr> </tbody> </table>	LENGTH	FINISH	4', 6'	AN, BC, BK, SB, SS	8'	BC, BS	12'	AN, BC, SS
LENGTH	FINISH									
4', 6'	AN, BC, BK, SB, SS									
8'	BC, BS									
12'	AN, BC, SS									
	FR 3139	<p>ALUMINUM TOP CAP FOR 5/16" MATERIAL</p> <table border="1"> <thead> <tr> <th>LENGTH</th> <th>FINISH</th> </tr> </thead> <tbody> <tr> <td>4', 6', 12'</td> <td>AN, BC</td> </tr> </tbody> </table>	LENGTH	FINISH	4', 6', 12'	AN, BC				
LENGTH	FINISH									
4', 6', 12'	AN, BC									

FINISHES: AN-Anodized, BC-Brite Clear, BK-Brite Black, BS-Brass, SB-Satin Black, SS-Stainless Steel Brushed



DRAWING	PART NUMBER	DESCRIPTION								
J CAP										
	FR 3264	<p>ALUMINUM CAP FOR 5/8" MATERIAL</p> <table border="1"> <thead> <tr> <th>LENGTH</th> <th>FINISH</th> </tr> </thead> <tbody> <tr> <td>4', 6', 12'</td> <td>AN</td> </tr> </tbody> </table>	LENGTH	FINISH	4', 6', 12'	AN				
LENGTH	FINISH									
4', 6', 12'	AN									
	FR 3265	<p>ALUMINUM FLANGE CAP FOR 5/8" MATERIAL</p> <table border="1"> <thead> <tr> <th>LENGTH</th> <th>FINISH</th> </tr> </thead> <tbody> <tr> <td>4', 6', 12'</td> <td>AN</td> </tr> </tbody> </table>	LENGTH	FINISH	4', 6', 12'	AN				
LENGTH	FINISH									
4', 6', 12'	AN									
MIRROR EDGE MOULDING										
	FR 1124	<p>ALUMINUM DECORATIVE MIRROR TRIM FOR 1/4" MATERIAL</p> <table border="1"> <thead> <tr> <th>LENGTH</th> <th>FINISH</th> </tr> </thead> <tbody> <tr> <td>4', 6', 12'</td> <td>AN, BC, SS</td> </tr> </tbody> </table>	LENGTH	FINISH	4', 6', 12'	AN, BC, SS				
LENGTH	FINISH									
4', 6', 12'	AN, BC, SS									
	FR 1125	<p>ALUMINUM EDGING FOR 1/4" MATERIAL CAN BE USED WITH CAP FR-2132 AND FR-3132</p> <table border="1"> <thead> <tr> <th>LENGTH</th> <th>FINISH</th> </tr> </thead> <tbody> <tr> <td>4', 6', 12'</td> <td>BC</td> </tr> </tbody> </table>	LENGTH	FINISH	4', 6', 12'	BC				
LENGTH	FINISH									
4', 6', 12'	BC									
	FR 1127	<p>ALUMINUM EDGING FOR 1/4" MATERIAL CAN BE USED WITH CAP FR-2132 AND FR-3132</p> <table border="1"> <thead> <tr> <th>LENGTH</th> <th>FINISH</th> </tr> </thead> <tbody> <tr> <td>4', 6'</td> <td>AN, BC, BK, BS, SB, SS</td> </tr> <tr> <td>8'</td> <td>AN, BC, BS</td> </tr> <tr> <td>12'</td> <td>AN, BC, BK, BS, SS</td> </tr> </tbody> </table>	LENGTH	FINISH	4', 6'	AN, BC, BK, BS, SB, SS	8'	AN, BC, BS	12'	AN, BC, BK, BS, SS
LENGTH	FINISH									
4', 6'	AN, BC, BK, BS, SB, SS									
8'	AN, BC, BS									
12'	AN, BC, BK, BS, SS									

FINISHES: AN-Anodized, BC-Brite Clear, BK-Brite Black, BS-Brass, SB-Satin Black, SS-Stainless Steel Brushed



DRAWING	PART NUMBER	DESCRIPTION						
DIVIDER								
	FR 0231	ALUMINUM DIVIDER FOR 1/16" MATERIAL <table border="1"> <thead> <tr> <th>LENGTH</th> <th>FINISH</th> </tr> </thead> <tbody> <tr> <td>4', 6'</td> <td>AN, BC</td> </tr> <tr> <td>12'</td> <td>AN</td> </tr> </tbody> </table>	LENGTH	FINISH	4', 6'	AN, BC	12'	AN
LENGTH	FINISH							
4', 6'	AN, BC							
12'	AN							
	FR 0431	ALUMINUM DIVIDER FOR 5/32" MATERIAL <table border="1"> <thead> <tr> <th>LENGTH</th> <th>FINISH</th> </tr> </thead> <tbody> <tr> <td>4', 6', 12'</td> <td>AN</td> </tr> </tbody> </table>	LENGTH	FINISH	4', 6', 12'	AN		
LENGTH	FINISH							
4', 6', 12'	AN							
	FR 1131	ALUMINUM DIVIDER FOR 1/2" MATERIAL <table border="1"> <thead> <tr> <th>LENGTH</th> <th>FINISH</th> </tr> </thead> <tbody> <tr> <td>4', 6', 12'</td> <td>AN</td> </tr> </tbody> </table>	LENGTH	FINISH	4', 6', 12'	AN		
LENGTH	FINISH							
4', 6', 12'	AN							
	FR 2131	ALUMINUM DIVIDER FOR 1/4" MATERIAL <table border="1"> <thead> <tr> <th>LENGTH</th> <th>FINISH</th> </tr> </thead> <tbody> <tr> <td>4', 6'</td> <td>AN</td> </tr> <tr> <td>12'</td> <td>AN, BC, BS, SB</td> </tr> </tbody> </table>	LENGTH	FINISH	4', 6'	AN	12'	AN, BC, BS, SB
LENGTH	FINISH							
4', 6'	AN							
12'	AN, BC, BS, SB							
	FR 3131	ALUMINUM DIVIDER FOR 3/4" MATERIAL <table border="1"> <thead> <tr> <th>LENGTH</th> <th>FINISH</th> </tr> </thead> <tbody> <tr> <td>4', 6', 12'</td> <td>AN</td> </tr> </tbody> </table>	LENGTH	FINISH	4', 6', 12'	AN		
LENGTH	FINISH							
4', 6', 12'	AN							
	FR 3263	ALUMINUM DIVIDER FOR 5/8" MATERIAL <table border="1"> <thead> <tr> <th>LENGTH</th> <th>FINISH</th> </tr> </thead> <tbody> <tr> <td>4', 6', 12'</td> <td>AN</td> </tr> </tbody> </table>	LENGTH	FINISH	4', 6', 12'	AN		
LENGTH	FINISH							
4', 6', 12'	AN							

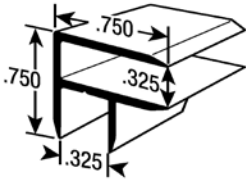
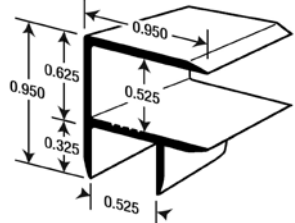
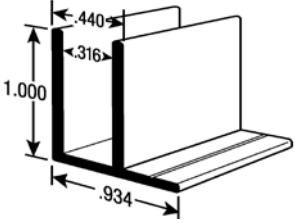
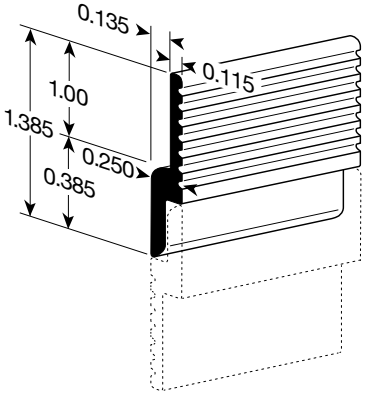
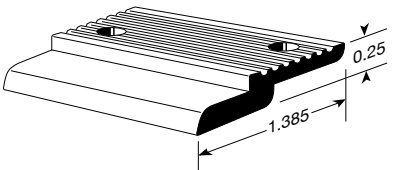
FINISHES: AN-Anodized, BC-Brite Clear, BS-Brass, SB-Satin Black



DRAWING	PART NUMBER	DESCRIPTION						
DIVIDER								
	FR 3266	ALUMINUM DOUBLE DIVIDER FOR 5/8" MATERIAL <table border="1"> <thead> <tr> <th>LENGTH</th> <th>FINISH</th> </tr> </thead> <tbody> <tr> <td>4', 6'</td> <td>AN</td> </tr> <tr> <td>12'</td> <td>AN, ML</td> </tr> </tbody> </table>	LENGTH	FINISH	4', 6'	AN	12'	AN, ML
LENGTH	FINISH							
4', 6'	AN							
12'	AN, ML							
	FR 5131	ALUMINUM DOUBLE DIVIDER FOR 3/4" MATERIAL <table border="1"> <thead> <tr> <th>LENGTH</th> <th>FINISH</th> </tr> </thead> <tbody> <tr> <td>4', 6', 12'</td> <td>AN</td> </tr> </tbody> </table>	LENGTH	FINISH	4', 6', 12'	AN		
LENGTH	FINISH							
4', 6', 12'	AN							
	FR 6131	ALUMINUM DIVIDER FOR 5/16" MATERIAL <table border="1"> <thead> <tr> <th>LENGTH</th> <th>FINISH</th> </tr> </thead> <tbody> <tr> <td>4', 6', 12'</td> <td>AN</td> </tr> </tbody> </table>	LENGTH	FINISH	4', 6', 12'	AN		
LENGTH	FINISH							
4', 6', 12'	AN							
CORNER MOULDING								
	FR 4135	ALUMINUM EDGING FOR 3/4" MATERIAL PRE DRILLED <table border="1"> <thead> <tr> <th>LENGTH</th> <th>FINISH</th> </tr> </thead> <tbody> <tr> <td>12'</td> <td>AN, SS</td> </tr> </tbody> </table>	LENGTH	FINISH	12'	AN, SS		
LENGTH	FINISH							
12'	AN, SS							
	FR 4136	ALUMINUM 90° CORNER MOULDING FOR 3/4" MATERIAL <table border="1"> <thead> <tr> <th>LENGTH</th> <th>FINISH</th> </tr> </thead> <tbody> <tr> <td>4', 6', 12'</td> <td>AN</td> </tr> </tbody> </table>	LENGTH	FINISH	4', 6', 12'	AN		
LENGTH	FINISH							
4', 6', 12'	AN							
	FR 5130	ALUMINUM O/S & I/S CORNER MOULDING FOR 1/4" MATERIAL <table border="1"> <thead> <tr> <th>LENGTH</th> <th>FINISH</th> </tr> </thead> <tbody> <tr> <td>4', 6', 12'</td> <td>AN, BC, BS</td> </tr> </tbody> </table>	LENGTH	FINISH	4', 6', 12'	AN, BC, BS		
LENGTH	FINISH							
4', 6', 12'	AN, BC, BS							

FINISHES: AN-Anodized, BC-Brite Clear, BS-Brass, ML-Mill, SS-Stainless Steel Brushed



DRAWING	PART NUMBER	DESCRIPTION						
CORNER MOULDING								
	FR 5140	ALUMINUM 90° CORNER MOULDING FOR 5/16" MATERIAL <table border="1"> <thead> <tr> <th>LENGTH</th> <th>FINISH</th> </tr> </thead> <tbody> <tr> <td>4', 6'</td> <td>AN</td> </tr> <tr> <td>12'</td> <td>AN, BC</td> </tr> </tbody> </table>	LENGTH	FINISH	4', 6'	AN	12'	AN, BC
LENGTH	FINISH							
4', 6'	AN							
12'	AN, BC							
	FR 5145	ALUMINUM 90° CORNER MOULDING FOR 1/2" MATERIAL <table border="1"> <thead> <tr> <th>LENGTH</th> <th>FINISH</th> </tr> </thead> <tbody> <tr> <td>4', 6', 12'</td> <td>AN</td> </tr> </tbody> </table>	LENGTH	FINISH	4', 6', 12'	AN		
LENGTH	FINISH							
4', 6', 12'	AN							
	FR 7130	ALUMINUM FIXED GLASS MOULDING FOR 1/4" MATERIAL <table border="1"> <thead> <tr> <th>LENGTH</th> <th>FINISH</th> </tr> </thead> <tbody> <tr> <td>4', 6', 12'</td> <td>AN</td> </tr> </tbody> </table>	LENGTH	FINISH	4', 6', 12'	AN		
LENGTH	FINISH							
4', 6', 12'	AN							
Z CLIP								
	FR 0120	ALUMINUM "Z" CLIP EXTRUSION FOR HANGING PANELS PROVIDES 1/4" REVEAL <table border="1"> <thead> <tr> <th>LENGTH</th> <th>FINISH</th> </tr> </thead> <tbody> <tr> <td>4', 6', 12'</td> <td>ML</td> </tr> </tbody> </table>	LENGTH	FINISH	4', 6', 12'	ML		
LENGTH	FINISH							
4', 6', 12'	ML							
	FR 0120 PC	ALUMINUM "Z" CLIP EXTRUSION FOR HANGING PANELS 2" LENGTHS PRE-DRILLED, PROVIDES 1/4" REVEAL <table border="1"> <thead> <tr> <th>QUANTITY</th> <th>FINISH</th> </tr> </thead> <tbody> <tr> <td>SINGLE</td> <td>ML</td> </tr> <tr> <td>BOX OF 250</td> <td>ML</td> </tr> </tbody> </table>	QUANTITY	FINISH	SINGLE	ML	BOX OF 250	ML
QUANTITY	FINISH							
SINGLE	ML							
BOX OF 250	ML							

FINISHES: AN-Anodized, BC-Brite Clear, ML-Mill



DRAWING	PART NUMBER	DESCRIPTION						
Z CLIP								
	FR 0130	<p>ALUMINUM "Z" CLIP EXTRUSION FOR HANGING PANELS 1.385" DEPTH PROVIDES 3/8" LIFT OFF</p> <table border="1"> <thead> <tr> <th>QUANTITY</th> <th>FINISH</th> </tr> </thead> <tbody> <tr> <td>4', 6', 12'</td> <td>ML</td> </tr> </tbody> </table>	QUANTITY	FINISH	4', 6', 12'	ML		
QUANTITY	FINISH							
4', 6', 12'	ML							
	FR 0130 PC	<p>ALUMINUM "Z" CLIP FOR HANGING PANELS 2" LENGTHS PRE-DRILLED</p> <table border="1"> <thead> <tr> <th>QUANTITY</th> <th>FINISH</th> </tr> </thead> <tbody> <tr> <td>SINGLE</td> <td>ML</td> </tr> <tr> <td>BOX OF 250</td> <td>ML</td> </tr> </tbody> </table>	QUANTITY	FINISH	SINGLE	ML	BOX OF 250	ML
QUANTITY	FINISH							
SINGLE	ML							
BOX OF 250	ML							
	FR 0150	<p>ALUMINUM GROOVED "Z" CLIP, PROVIDES 1/5" REVEAL</p> <table border="1"> <thead> <tr> <th>LENGTH</th> <th>FINISH</th> </tr> </thead> <tbody> <tr> <td>4', 6', 12'</td> <td>ML</td> </tr> </tbody> </table>	LENGTH	FINISH	4', 6', 12'	ML		
LENGTH	FINISH							
4', 6', 12'	ML							
	FR 0150 PC	<p>ALUMINUM GROOVED "Z" CLIP 2" LENGTHS PRE-DRILLED, PROVIDES 1/5" REVEAL</p> <table border="1"> <thead> <tr> <th>QUANTITY</th> <th>FINISH</th> </tr> </thead> <tbody> <tr> <td>SINGLE</td> <td>ML</td> </tr> <tr> <td>BOX OF 250</td> <td>ML</td> </tr> </tbody> </table>	QUANTITY	FINISH	SINGLE	ML	BOX OF 250	ML
QUANTITY	FINISH							
SINGLE	ML							
BOX OF 250	ML							
	FR 8130	<p>ALUMINUM "Z" BAR</p> <table border="1"> <thead> <tr> <th>LENGTH</th> <th>FINISH</th> </tr> </thead> <tbody> <tr> <td>4', 6', 12'</td> <td>AN</td> </tr> </tbody> </table>	LENGTH	FINISH	4', 6', 12'	AN		
LENGTH	FINISH							
4', 6', 12'	AN							

FINISHES: AN-Anodized, ML-Mill



DRAWING	PART NUMBER	DESCRIPTION						
BOTTOM TRACK - Sliding								
	EM 3140 BT	1/2" SLIDING TRACK BOTTOM <table border="1"> <thead> <tr> <th>LENGTH</th> <th>FINISH</th> </tr> </thead> <tbody> <tr> <td>4', 6', 12'</td> <td>AN</td> </tr> </tbody> </table>	LENGTH	FINISH	4', 6', 12'	AN		
LENGTH	FINISH							
4', 6', 12'	AN							
	EM 3142 BT	1/4" SLIDING TRACK BOTTOM <table border="1"> <thead> <tr> <th>LENGTH</th> <th>FINISH</th> </tr> </thead> <tbody> <tr> <td>4', 6', 12'</td> <td>AN</td> </tr> </tbody> </table>	LENGTH	FINISH	4', 6', 12'	AN		
LENGTH	FINISH							
4', 6', 12'	AN							
BOTTOM TRACK								
	FR 3601	BOTTOM TRACK - USE WITH FR 3600TP & FR 3611 <table border="1"> <thead> <tr> <th>LENGTH</th> <th>FINISH</th> </tr> </thead> <tbody> <tr> <td>4', 6'</td> <td>AN</td> </tr> <tr> <td>12'</td> <td>AN, BC, BS</td> </tr> </tbody> </table>	LENGTH	FINISH	4', 6'	AN	12'	AN, BC, BS
LENGTH	FINISH							
4', 6'	AN							
12'	AN, BC, BS							
	FR 3606	TRACK INSERT FITS INTO FR 3600TP <table border="1"> <thead> <tr> <th>LENGTH</th> <th>FINISH</th> </tr> </thead> <tbody> <tr> <td>8'</td> <td>AN</td> </tr> </tbody> </table>	LENGTH	FINISH	8'	AN		
LENGTH	FINISH							
8'	AN							
	FR 3615	1/4" BOTTOM TRACK - USE WITH FR 3700TP <table border="1"> <thead> <tr> <th>LENGTH</th> <th>FINISH</th> </tr> </thead> <tbody> <tr> <td>12'</td> <td>AN</td> </tr> </tbody> </table>	LENGTH	FINISH	12'	AN		
LENGTH	FINISH							
12'	AN							
	FR 3617	1/4" BOTTOM TRACK - USE WITH FR 3700TP <table border="1"> <thead> <tr> <th>LENGTH</th> <th>FINISH</th> </tr> </thead> <tbody> <tr> <td>12'</td> <td>AN</td> </tr> </tbody> </table>	LENGTH	FINISH	12'	AN		
LENGTH	FINISH							
12'	AN							

FINISHES: AN-Anodized, BC-Brite Clear, BS-Brass



DRAWING	PART NUMBER	DESCRIPTION						
TOP TRACK - Sliding								
	EM 3140 TP	<p>1/2" SLIDING TRACK TOP</p> <table border="1"> <tr> <th>LENGTH</th> <th>FINISH</th> </tr> <tr> <td>4', 6', 12'</td> <td>AN</td> </tr> </table>	LENGTH	FINISH	4', 6', 12'	AN		
LENGTH	FINISH							
4', 6', 12'	AN							
	EM 3142 TP	<p>1/4" SLIDING TRACK TOP</p> <table border="1"> <tr> <th>LENGTH</th> <th>FINISH</th> </tr> <tr> <td>4', 6', 12'</td> <td>AN</td> </tr> </table>	LENGTH	FINISH	4', 6', 12'	AN		
LENGTH	FINISH							
4', 6', 12'	AN							
TOP TRACK								
	FR 3600 TP	<p>1/4" TOP TRACK</p> <table border="1"> <tr> <th>LENGTH</th> <th>FINISH</th> </tr> <tr> <td>4', 6'</td> <td>AN</td> </tr> <tr> <td>12'</td> <td>AN, BC, BS</td> </tr> </table>	LENGTH	FINISH	4', 6'	AN	12'	AN, BC, BS
LENGTH	FINISH							
4', 6'	AN							
12'	AN, BC, BS							
	FR 3700 TP	<p>1/4" TOP TRACK</p> <table border="1"> <tr> <th>LENGTH</th> <th>FINISH</th> </tr> <tr> <td>12'</td> <td>AN</td> </tr> </table>	LENGTH	FINISH	12'	AN		
LENGTH	FINISH							
12'	AN							
GASKET								
	FR 2955	<p>VINYL GASKET FOR 1/4" MATERIAL SOLD IN ROLLS OF 250' OR BY THE FOOT <u>AVAILABLE IN CLEAR OR GREY</u></p>						
	FR 147SIL04	<p>CO-EXTRUDED PVC SILENCER FOR USE ON 1/4" GLASS <u>AVAILABLE IN GREY</u></p>						

FINISHES: AN-Anodized, BC-Brite Clear, BS-Brass



DRAWING	PART NUMBER	DESCRIPTION						
SHOE								
	FR 3611	SHOE TRACK - USE WITH FR 3600TP AND FR 3601BT <table border="1"> <thead> <tr> <th>LENGTH</th> <th>FINISH</th> </tr> </thead> <tbody> <tr> <td>4', 6'</td> <td>AN</td> </tr> <tr> <td>12'</td> <td>AN, BC, BS</td> </tr> </tbody> </table>	LENGTH	FINISH	4', 6'	AN	12'	AN, BC, BS
LENGTH	FINISH							
4', 6'	AN							
12'	AN, BC, BS							
	FR 3616	SHOE TRACK - USE WITH FR 3700TP, FR 3615 OR FR 3617 <table border="1"> <thead> <tr> <th>LENGTH</th> <th>FINISH</th> </tr> </thead> <tbody> <tr> <td>12'</td> <td>AN</td> </tr> </tbody> </table>	LENGTH	FINISH	12'	AN		
LENGTH	FINISH							
12'	AN							
	FR 3618	SHOE TRACK - USE WITH FR 3700TP, FR 3615 OR FR 3617 <table border="1"> <thead> <tr> <th>LENGTH</th> <th>FINISH</th> </tr> </thead> <tbody> <tr> <td>12'</td> <td>AN</td> </tr> </tbody> </table>	LENGTH	FINISH	12'	AN		
LENGTH	FINISH							
12'	AN							
WHEELS								
	FR 147WHEEL	NYLON WHEEL FOR SHOWCASE SHOES GREY MINIMUM QUANTITY 50 PIECES						
END CAP								
	FR 147CAP	CHROME END CAP FOR SLIDING TRACK SYSTEM						
LOCK								
	FR 147LOCK	LOCK WITH KEY FOR SLIDING TRACK SYSTEMS						

FINISHES: AN-Anodized, BC-Brite Clear, BS-Brass



DRAWING	PART NUMBER	DESCRIPTION																																													
1/4" SLIDING TRACK KITS																																															
	FR 147KITGY (GREY FR 2955)	<p>1/4" SLIDING TRACK KIT CONSISTING OF:</p> <table border="1"> <thead> <tr> <th>PART NUMBER</th> <th>DESCRIPTION</th> <th>QTY</th> <th>LENGTH</th> <th>FINISH</th> </tr> </thead> <tbody> <tr> <td>FR 3600 TP</td> <td>TOP TRACK</td> <td>1</td> <td>12'</td> <td>AN</td> </tr> <tr> <td>FR 3601</td> <td>BOTTOM TRACK</td> <td>1</td> <td>12'</td> <td>AN</td> </tr> <tr> <td>FR 3611</td> <td>SHOE TRACK</td> <td>1</td> <td>12'</td> <td>AN</td> </tr> <tr> <td>FR 147WHEEL</td> <td>NYLON WHEEL</td> <td>6</td> <td></td> <td>GREY</td> </tr> <tr> <td>FR 147CAP</td> <td>END CAP</td> <td>6</td> <td></td> <td>CHROME</td> </tr> <tr> <td>FR 147LOCK</td> <td>LOCK WITH KEY</td> <td>1</td> <td></td> <td>CHROME</td> </tr> <tr> <td>FR 147SIL04</td> <td>PVC SILENCER</td> <td>1</td> <td></td> <td>GREY</td> </tr> <tr> <td>FR 2955</td> <td>VINYL GASKET</td> <td>1</td> <td>12'-6"</td> <td>GREY/CLEAR</td> </tr> </tbody> </table>	PART NUMBER	DESCRIPTION	QTY	LENGTH	FINISH	FR 3600 TP	TOP TRACK	1	12'	AN	FR 3601	BOTTOM TRACK	1	12'	AN	FR 3611	SHOE TRACK	1	12'	AN	FR 147WHEEL	NYLON WHEEL	6		GREY	FR 147CAP	END CAP	6		CHROME	FR 147LOCK	LOCK WITH KEY	1		CHROME	FR 147SIL04	PVC SILENCER	1		GREY	FR 2955	VINYL GASKET	1	12'-6"	GREY/CLEAR
	PART NUMBER		DESCRIPTION	QTY	LENGTH	FINISH																																									
FR 3600 TP	TOP TRACK		1	12'	AN																																										
FR 3601	BOTTOM TRACK		1	12'	AN																																										
FR 3611	SHOE TRACK		1	12'	AN																																										
FR 147WHEEL	NYLON WHEEL		6		GREY																																										
FR 147CAP	END CAP		6		CHROME																																										
FR 147LOCK	LOCK WITH KEY		1		CHROME																																										
FR 147SIL04	PVC SILENCER		1		GREY																																										
FR 2955	VINYL GASKET		1	12'-6"	GREY/CLEAR																																										
FR 147KITCL (CLEAR FR 2955)																																															

FINISHES: AN-Anodized



DRAWING	PART NUMBER	DESCRIPTION						
CHANNEL CAP								
	EM 3197	ALUMINUM CHANNEL CAP FOR 3/4" MATERIAL <table border="1"> <thead> <tr> <th>LENGTH</th> <th>FINISH</th> </tr> </thead> <tbody> <tr> <td>12'</td> <td>SS</td> </tr> </tbody> </table>	LENGTH	FINISH	12'	SS		
LENGTH	FINISH							
12'	SS							
	EM 3198	ALUMINUM CHANNEL CAP FOR 5/8" MATERIAL <table border="1"> <thead> <tr> <th>LENGTH</th> <th>FINISH</th> </tr> </thead> <tbody> <tr> <td>4', 6'</td> <td>AN</td> </tr> <tr> <td>12'</td> <td>AN, SS</td> </tr> </tbody> </table>	LENGTH	FINISH	4', 6'	AN	12'	AN, SS
LENGTH	FINISH							
4', 6'	AN							
12'	AN, SS							
	EM 7006	VINYL CHANNEL CAP FOR 3/4" MATERIAL <table border="1"> <thead> <tr> <th>LENGTH</th> <th>VINYL COLOUR</th> </tr> </thead> <tbody> <tr> <td>8'</td> <td>ALMOND, BLACK, WHITE</td> </tr> </tbody> </table>	LENGTH	VINYL COLOUR	8'	ALMOND, BLACK, WHITE		
LENGTH	VINYL COLOUR							
8'	ALMOND, BLACK, WHITE							
CORNER BEAD								
	EM 5432*	5/8" CORNER BEAD <table border="1"> <thead> <tr> <th>LENGTH</th> <th>FINISH</th> </tr> </thead> <tbody> <tr> <td>12'</td> <td>AN</td> </tr> </tbody> </table>	LENGTH	FINISH	12'	AN		
LENGTH	FINISH							
12'	AN							
COUNTER EDGE								
	EM 2402 EM 2404	COUNTER EDGING <table border="1"> <thead> <tr> <th>LENGTH</th> <th>FINISH</th> </tr> </thead> <tbody> <tr> <td>4', 6', 12'</td> <td>EM 2402 7/8" AN</td> </tr> <tr> <td>4', 6', 12'</td> <td>EM 2404 1 1/4" AN</td> </tr> </tbody> </table>	LENGTH	FINISH	4', 6', 12'	EM 2402 7/8" AN	4', 6', 12'	EM 2404 1 1/4" AN
LENGTH	FINISH							
4', 6', 12'	EM 2402 7/8" AN							
4', 6', 12'	EM 2404 1 1/4" AN							
	EM 2602	7/8" COUNTER CENTRE EDGING <table border="1"> <thead> <tr> <th>LENGTH</th> <th>FINISH</th> </tr> </thead> <tbody> <tr> <td>4', 6'</td> <td>AN, BC</td> </tr> <tr> <td>12'</td> <td>AN, BC, BS</td> </tr> </tbody> </table>	LENGTH	FINISH	4', 6'	AN, BC	12'	AN, BC, BS
LENGTH	FINISH							
4', 6'	AN, BC							
12'	AN, BC, BS							

*Min. 550 lb. order is required.

FINISHES: AN-Anodized, BC-Brite Clear, BS-Brass, SS-Stainless Steel Brushed



DRAWING	PART NUMBER	DESCRIPTION				
T-EDGE						
	EM 3162	<p>1 1/16" T-EDGING</p> <table border="1"> <tr> <th>LENGTH</th> <th>FINISH</th> </tr> <tr> <td>4', 6', 12'</td> <td>AN</td> </tr> </table>	LENGTH	FINISH	4', 6', 12'	AN
LENGTH	FINISH					
4', 6', 12'	AN					
	EM 3191	<p>1 3/8" T-EDGING</p> <table border="1"> <tr> <th>LENGTH</th> <th>FINISH</th> </tr> <tr> <td>12'</td> <td>BC, SS</td> </tr> </table>	LENGTH	FINISH	12'	BC, SS
LENGTH	FINISH					
12'	BC, SS					
	EM 3193	<p>27/32" T-EDGING</p> <table border="1"> <tr> <th>LENGTH</th> <th>FINISH</th> </tr> <tr> <td>12'</td> <td>AN, SS</td> </tr> </table>	LENGTH	FINISH	12'	AN, SS
LENGTH	FINISH					
12'	AN, SS					
	EM 3194	<p>27/32" T-EDGING</p> <table border="1"> <tr> <th>LENGTH</th> <th>FINISH</th> </tr> <tr> <td>12'</td> <td>AN, SS</td> </tr> </table>	LENGTH	FINISH	12'	AN, SS
LENGTH	FINISH					
12'	AN, SS					
	EM 3195	<p>1 1/4" T-EDGING</p> <table border="1"> <tr> <th>LENGTH</th> <th>FINISH</th> </tr> <tr> <td>12'</td> <td>AN, SS</td> </tr> </table>	LENGTH	FINISH	12'	AN, SS
LENGTH	FINISH					
12'	AN, SS					
	EM 3196	<p>1 11/16" T-EDGING</p> <table border="1"> <tr> <th>LENGTH</th> <th>FINISH</th> </tr> <tr> <td>12'</td> <td>AN, SS</td> </tr> </table>	LENGTH	FINISH	12'	AN, SS
LENGTH	FINISH					
12'	AN, SS					

FINISHES: AN-Anodized, BC-Brite Clear, SS-Stainless Steel Brushed



DRAWING	PART NUMBER	DESCRIPTION				
T-EDGE						
	EM 5431	<p>5/16" T-EDGING</p> <table border="1"> <tr> <th>LENGTH</th> <th>FINISH</th> </tr> <tr> <td>4', 6', 12'</td> <td>AN</td> </tr> </table>	LENGTH	FINISH	4', 6', 12'	AN
LENGTH	FINISH					
4', 6', 12'	AN					
	EM 5481	<p>13/16" T-EDGING</p> <table border="1"> <tr> <th>LENGTH</th> <th>FINISH</th> </tr> <tr> <td>12'</td> <td>AN</td> </tr> </table>	LENGTH	FINISH	12'	AN
LENGTH	FINISH					
12'	AN					
	EM 5482*	<p>13/16" T-EDGING</p> <table border="1"> <tr> <th>LENGTH</th> <th>FINISH</th> </tr> <tr> <td>12'</td> <td>AN, BC</td> </tr> </table>	LENGTH	FINISH	12'	AN, BC
LENGTH	FINISH					
12'	AN, BC					
FINGER PULL						
	EM 3187	<p>3/4" FINGER PULL</p> <table border="1"> <tr> <th>LENGTH</th> <th>FINISH</th> </tr> <tr> <td>12'</td> <td>AN</td> </tr> </table>	LENGTH	FINISH	12'	AN
LENGTH	FINISH					
12'	AN					
	EM 3188	<p>5/8" FINGER PULL</p> <table border="1"> <tr> <th>LENGTH</th> <th>FINISH</th> </tr> <tr> <td>12'</td> <td>AN, SS</td> </tr> </table>	LENGTH	FINISH	12'	AN, SS
LENGTH	FINISH					
12'	AN, SS					

*Min. 550 lb. order is required.

FINISHES: AN-Anodized, BC-Brite Clear, SS-Stainless Steel Brushed



DRAWING	PART NUMBER	DESCRIPTION						
FINGER PULL								
	EM 3189	<p>3/4" FINGER PULL</p> <table border="1"> <thead> <tr> <th>LENGTH</th> <th>FINISH</th> </tr> </thead> <tbody> <tr> <td>4', 6'</td> <td>AN</td> </tr> <tr> <td>12'</td> <td>AN, BC</td> </tr> </tbody> </table>	LENGTH	FINISH	4', 6'	AN	12'	AN, BC
LENGTH	FINISH							
4', 6'	AN							
12'	AN, BC							
	EM 3190*	<p>5/8" FINGER PULL</p> <table border="1"> <thead> <tr> <th>LENGTH</th> <th>FINISH</th> </tr> </thead> <tbody> <tr> <td>12'</td> <td>AN, SS</td> </tr> </tbody> </table>	LENGTH	FINISH	12'	AN, SS		
LENGTH	FINISH							
12'	AN, SS							
DRAWER PULL								
	EM 3181	<p>1 3/16" DRAWER PULL</p> <table border="1"> <thead> <tr> <th>LENGTH</th> <th>FINISH</th> </tr> </thead> <tbody> <tr> <td>4', 8', 12'</td> <td>AN</td> </tr> </tbody> </table>	LENGTH	FINISH	4', 8', 12'	AN		
LENGTH	FINISH							
4', 8', 12'	AN							
	EM 3182	<p>1 3/16" DRAWER PULL</p> <table border="1"> <thead> <tr> <th>LENGTH</th> <th>FINISH</th> </tr> </thead> <tbody> <tr> <td>4', 6', 12'</td> <td>AN</td> </tr> </tbody> </table>	LENGTH	FINISH	4', 6', 12'	AN		
LENGTH	FINISH							
4', 6', 12'	AN							
	EM 3183	<p>1 5/16" DRAWER PULL</p> <table border="1"> <thead> <tr> <th>LENGTH</th> <th>FINISH</th> </tr> </thead> <tbody> <tr> <td>4', 6', 12'</td> <td>AN</td> </tr> </tbody> </table>	LENGTH	FINISH	4', 6', 12'	AN		
LENGTH	FINISH							
4', 6', 12'	AN							
	EM 3184	<p>1 5/16" DRAWER PULL</p> <table border="1"> <thead> <tr> <th>LENGTH</th> <th>FINISH</th> </tr> </thead> <tbody> <tr> <td>4', 6', 8', 12'</td> <td>AN</td> </tr> </tbody> </table>	LENGTH	FINISH	4', 6', 8', 12'	AN		
LENGTH	FINISH							
4', 6', 8', 12'	AN							

*Min. 1,100 lb. order is required.

FINISHES: AN-Anodized, BC-Brite Clear, SS-Stainless Steel Brushed



DRAWING	PART NUMBER	DESCRIPTION
DRAWER PULL		
	EM 3186	1 21/32" DRAWER PULL LENGTH FINISH <u>8', 12'</u> <u>AN, SS</u>
	EM 3199	1 17/32" DRAWER PULL LENGTH FINISH <u>4', 6'</u> <u>AN</u> <u>12'</u> <u>AN, SS</u>
	EM 3200	1 17/32" DRAWER PULL LENGTH FINISH <u>4', 6'</u> <u>AN</u> <u>12'</u> <u>AN, SS</u>
SLOTWALL		
	EM 0195	ALUMINUM SLOTWALL INSERT LENGTH FINISH <u>4', 8'</u> <u>ML</u>
	EM 0197	ALUMINUM SLOTWALL INSERT LENGTH FINISH <u>4', 8'</u> <u>ML</u>
	EM 0206	ALUMINUM SLOTWALL INSERT LENGTH FINISH <u>4', 8'</u> <u>ML</u>

FINISHES: AN-Anodized, ML-Mill, SS-Stainless Steel Brushed



DRAWING	PART NUMBER	DESCRIPTION
SLOTWALL		
	EM 0208	ALUMINUM SLOTWALL INSERT <u>LENGTH</u> <u>FINISH</u> 4', 8' ML
	EM 0300	VINYL DECORATIVE SLOTWALL INSERT <u>LENGTH</u> <u>COLOUR</u> 8' BLACK MINIMUM ORDER 330 PIECES.
	EM 0700	SLOTWALL INTER-LOCKING PANEL <u>LENGTH</u> <u>FINISH</u> 146" ML
	EM 1074	ALUMINUM SLOTWALL INSERT <u>LENGTH</u> <u>FINISH</u> 97" ML
AWNING RAIL		
	BM 3078	ALUMINUM AWNING RAIL 3/8" I.D. <u>LENGTH</u> <u>FINISH</u> 4', 6', 12' AN
SLIDING TRACK		
	BM 3084	ALUMINUM SLIDING TRACK <u>LENGTH</u> <u>FINISH</u> 4', 6', 12' AN

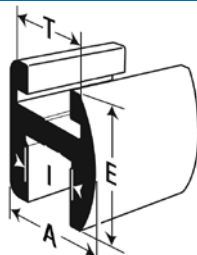
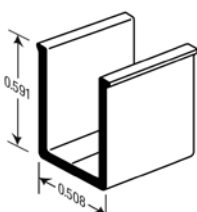
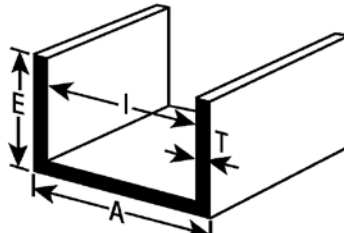
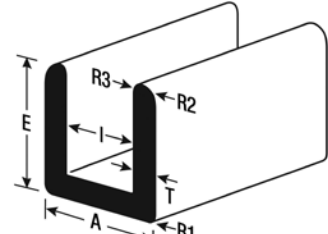
FINISHES: AN-Anodized, ML-Mill



DRAWING	PART NUMBER	DESCRIPTION
SCREEN DOOR		
	EM 3150	SCREEN DOOR EXTRUSION 1" HEIGHT <u>LENGTH</u> <u>FINISH</u> 12' BROWN, WHITE
CHALK TRAY		
	FR 7255	3 1/2" ALUMINUM CHALK TRAY RAIL <u>LENGTH</u> <u>FINISH</u> 4', 6', 12' AN

FINISHES: AN-Anodized



DRAWING	PART NUMBER	DIMENSIONS				LENGTH	FINISH
		E	A	T	I/R		
HEADER - For 1/2" Material							
	CP 0308	1 1/4"	1"	3/4"	9/16"	4', 6' 12'	BC, SB, SS BC, SS
	CP 0388 SNAP IN FILLER INSERT FOR CP 0308	0.591"	0.508"			4', 6', 12'	BC
CHANNEL - Architectural							
	IE 1615*	3/4"	0.524"	1/16"	0.398"	4', 6', 8', 12'	BC, SS
	IE 1621	3/4"	9/16"	0.060"	7/16"	4', 6' 8' 12'	AN, BC, BK, SB, SS AN, SS AN, BC, BK, BS, BZ, SS
CHANNEL - Rounded Outside - Architectural							
	SE 1625**	3/8"	9/16"	0.080"	0.403"	4', 6' 12'	BC AN, BC, SB, SS
	SE 1626**	3/8"	0.678"	0.080"	0.518"	4', 6', 12'	AN, BC, SB, SS
	SE 1627**	3/4"	9/16"	0.080"	0.403"	4', 6', 98", 12'	AN, BC, SB, SS
	SE 1628**	3/4"	0.678"	0.080"	0.518"	4', 6', 12'	AN, BC, SB, SS

*IE1615 fits into header extrusion

Radius Dimensions: **R1 - 0.031", **R2** - 0.063", **R3** - 0.031"

FINISHES: AN-Anodized, BC-Brite Clear, BK-Brite Black, BS-Brass, BZ-Bronze, SB-Satin Black, SS-Stainless Steel Brushed



TICKET MOULDING

DRAWING	PART NUMBER	DESCRIPTION								
	EM 0172	1 1/4" TICKET MOULDING SNAPS ON TO METAL SHELVING <table border="1"> <thead> <tr> <th>LENGTH</th> <th>FINISH</th> </tr> </thead> <tbody> <tr> <td>4'</td> <td>DRILLED ML</td> </tr> <tr> <td>4', 6'</td> <td>AN</td> </tr> <tr> <td>12'</td> <td>AN, ML</td> </tr> </tbody> </table>	LENGTH	FINISH	4'	DRILLED ML	4', 6'	AN	12'	AN, ML
LENGTH	FINISH									
4'	DRILLED ML									
4', 6'	AN									
12'	AN, ML									
	EM 0177	1 1/4" TICKET MOULDING <table border="1"> <thead> <tr> <th>LENGTH</th> <th>FINISH</th> </tr> </thead> <tbody> <tr> <td>4', 6'</td> <td>AN</td> </tr> <tr> <td>8'</td> <td>ML</td> </tr> <tr> <td>12'</td> <td>AN, ML</td> </tr> </tbody> </table>	LENGTH	FINISH	4', 6'	AN	8'	ML	12'	AN, ML
LENGTH	FINISH									
4', 6'	AN									
8'	ML									
12'	AN, ML									
	EM 0182	1 1/8" RIB TICKET MOULDING <table border="1"> <thead> <tr> <th>LENGTH</th> <th>FINISH</th> </tr> </thead> <tbody> <tr> <td>12'</td> <td>AN</td> </tr> </tbody> </table>	LENGTH	FINISH	12'	AN				
LENGTH	FINISH									
12'	AN									

FINISHES: AN-Anodized, ML-Mill



GLASS RAILING SYSTEM

DRAWING	PART NUMBER	DESCRIPTION				
	FR 9471	<p>BLACK VINYL GASKET FOR SHOE BASE FR 9475</p> <hr/> <p>SOLD PER FOOT</p>				
	FR 9475	<p>HOLLOW SHOE BASE USE WITH FR 9471 GASKET</p> <table border="1"> <thead> <tr> <th>LENGTH</th> <th>FINISH</th> </tr> </thead> <tbody> <tr> <td>10'</td> <td>ML</td> </tr> </tbody> </table>	LENGTH	FINISH	10'	ML
LENGTH	FINISH					
10'	ML					
	FR 9480	<p>1 5/8" x 1 5/8" x 1/8" CHANNEL USE WITH FR 9481 GASKET</p> <table border="1"> <thead> <tr> <th>LENGTH</th> <th>FINISH</th> </tr> </thead> <tbody> <tr> <td>4', 6', 12'</td> <td>AN</td> </tr> </tbody> </table>	LENGTH	FINISH	4', 6', 12'	AN
LENGTH	FINISH					
4', 6', 12'	AN					
	FR 9481BK	<p>BLACK VINYL GASKET FOR FR 9480 CHANNEL</p> <hr/> <p>SOLD PER FOOT</p>				
	IE 1460	<p>CLADDING FOR FR 9475</p> <table border="1"> <thead> <tr> <th>LENGTH</th> <th>FINISH</th> </tr> </thead> <tbody> <tr> <td>10'</td> <td>BC, SS</td> </tr> </tbody> </table>	LENGTH	FINISH	10'	BC, SS
LENGTH	FINISH					
10'	BC, SS					

FINISHES: AN-Anodized, BC-Brite Clear, ML-Mill, SS-Stainless Steel Brushed



DRAWING	PART NUMBER	DESCRIPTION
	SE 1001	<p>EX-1 CHANNEL 6" WITH 1/4" SLOT</p> <p>LENGTH FINISH</p> <p><u>24'-3" (291")</u> <u>AN, ML</u></p>
	SE 1002	<p>EX-2 CHANNEL BOX FRAME 7 1/2"</p> <p>LENGTH FINISH</p> <p><u>24'-3" (291")</u> <u>AN, ML</u></p>
	SE 1003	<p>EX-3 ANGLE 1" x 1" x .062"</p> <p>LENGTH FINISH</p> <p><u>24'-3" (291")</u> <u>AN, ML</u></p>
	SE 1005	<p>EX-5 F-CHANNEL 1 1/2" x 1" x 1/4" SLOT</p> <p>LENGTH FINISH</p> <p><u>24'-3" (291")</u> <u>AN, ML</u></p>
	SE 1006	<p>EX-6 ANGLE 1 1/4" x 1 1/4" x .093"</p> <p>LENGTH FINISH</p> <p><u>24'-3" (291")</u> <u>AN, ML</u></p>

NOTE: Additional finishes available on request.

FINISHES: AN-Anodized, ML-Mill



DRAWING	PART NUMBER	DESCRIPTION				
	SE 1007	<p>EX-7 FRAME 1 1/2" FACE</p> <table border="1"> <thead> <tr> <th>LENGTH</th> <th>FINISH</th> </tr> </thead> <tbody> <tr> <td>24'-3" (291")</td> <td>AN, ML</td> </tr> </tbody> </table>	LENGTH	FINISH	24'-3" (291")	AN, ML
LENGTH	FINISH					
24'-3" (291")	AN, ML					
	SE 1008	<p>EX-8 CHANNEL 8.125" x 1/4" SLOT</p> <table border="1"> <thead> <tr> <th>LENGTH</th> <th>FINISH</th> </tr> </thead> <tbody> <tr> <td>24'-3" (291")</td> <td>AN, ML</td> </tr> </tbody> </table>	LENGTH	FINISH	24'-3" (291")	AN, ML
LENGTH	FINISH					
24'-3" (291")	AN, ML					
	SE 1011	<p>EX-11 DIVIDER 1.625" x 1.2"</p> <table border="1"> <thead> <tr> <th>LENGTH</th> <th>FINISH</th> </tr> </thead> <tbody> <tr> <td>24'-3" (291")</td> <td>AN, ML</td> </tr> </tbody> </table>	LENGTH	FINISH	24'-3" (291")	AN, ML
LENGTH	FINISH					
24'-3" (291")	AN, ML					
	SE 1012	<p>EX-12 FRAME 1" FACE</p> <table border="1"> <thead> <tr> <th>LENGTH</th> <th>FINISH</th> </tr> </thead> <tbody> <tr> <td>24'-3" (291")</td> <td>AN, ML</td> </tr> </tbody> </table>	LENGTH	FINISH	24'-3" (291")	AN, ML
LENGTH	FINISH					
24'-3" (291")	AN, ML					

NOTE: Additional finishes available on request.

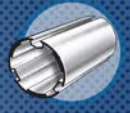
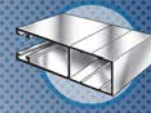
FINISHES: AN-Anodized, ML-Mill



DRAWING	PART NUMBER	DESCRIPTION				
	SE 1013	<p>EX-13 FRAME 2.25" FACE</p> <table border="1"> <thead> <tr> <th>LENGTH</th> <th>FINISH</th> </tr> </thead> <tbody> <tr> <td>24'-3" (291")</td> <td>AN, ML</td> </tr> </tbody> </table>	LENGTH	FINISH	24'-3" (291")	AN, ML
LENGTH	FINISH					
24'-3" (291")	AN, ML					
	SE 1014	<p>EX-14 CHANNEL 4" WITH 1/4" SLOT</p> <table border="1"> <thead> <tr> <th>LENGTH</th> <th>FINISH</th> </tr> </thead> <tbody> <tr> <td>24'-3" (291")</td> <td>AN, ML</td> </tr> </tbody> </table>	LENGTH	FINISH	24'-3" (291")	AN, ML
LENGTH	FINISH					
24'-3" (291")	AN, ML					

NOTE: Additional finishes available on request.

FINISHES: AN-Anodized, ML-Mill



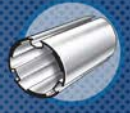
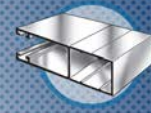
ROLLER SHADE EXTRUSIONS

DRAWING	PART NUMBER	DESCRIPTION				
	CP 7915*	<p>2.5" TUBE</p> <table border="1"> <tr> <th>LENGTH</th> <th>FINISH</th> </tr> <tr> <td>236"</td> <td>ML</td> </tr> </table>	LENGTH	FINISH	236"	ML
LENGTH	FINISH					
236"	ML					
	FR 7004	<p>1.26" TUBE</p> <table border="1"> <tr> <th>LENGTH</th> <th>FINISH</th> </tr> <tr> <td>183", 196"</td> <td>ML</td> </tr> </table>	LENGTH	FINISH	183", 196"	ML
LENGTH	FINISH					
183", 196"	ML					
	FR 7007	<p>1.75" TUBE</p> <table border="1"> <tr> <th>LENGTH</th> <th>FINISH</th> </tr> <tr> <td>236"</td> <td>ML</td> </tr> </table>	LENGTH	FINISH	236"	ML
LENGTH	FINISH					
236"	ML					
	FR 7010	<p>3" HEADER</p> <table border="1"> <tr> <th>LENGTH</th> <th>FINISH</th> </tr> <tr> <td>196"</td> <td>AN, BK, CR, DB, ML, WH</td> </tr> </table>	LENGTH	FINISH	196"	AN, BK, CR, DB, ML, WH
LENGTH	FINISH					
196"	AN, BK, CR, DB, ML, WH					
	FR 7011	<p>2.5" HEADER</p> <table border="1"> <tr> <th>LENGTH</th> <th>FINISH</th> </tr> <tr> <td>144"</td> <td>AN, BK, CR, DB, ML, WH</td> </tr> </table>	LENGTH	FINISH	144"	AN, BK, CR, DB, ML, WH
LENGTH	FINISH					
144"	AN, BK, CR, DB, ML, WH					

*Min. 1100 lb order qty.

NOTE: Additional finishes available on request.

FINISHES: AN-Anodized, BK-Brite Black, CR-Cream, DB-Dark Bronze, ML-Mill, WH-White



ROLLER SHADE EXTRUSIONS

DRAWING	PART NUMBER	DESCRIPTION				
	CP 7266	<p>3" FASCIA</p> <table border="1"> <tr> <td>LENGTH</td> <td>FINISH</td> </tr> <tr> <td>236"</td> <td>AN</td> </tr> </table>	LENGTH	FINISH	236"	AN
LENGTH	FINISH					
236"	AN					
	CP 6010	<p>CEILING TRACK</p> <table border="1"> <tr> <td>LENGTH</td> <td>FINISH</td> </tr> <tr> <td>236"</td> <td>AN</td> </tr> </table>	LENGTH	FINISH	236"	AN
LENGTH	FINISH					
236"	AN					
	CP 7920	<p>BRACKET</p> <table border="1"> <tr> <td>LENGTH</td> <td>FINISH</td> </tr> <tr> <td>236"</td> <td>AN</td> </tr> </table>	LENGTH	FINISH	236"	AN
LENGTH	FINISH					
236"	AN					

NOTE: Additional finishes available on request.

FINISHES: AN-Anodized, BK-Brite Black, CR-Cream, DB-Dark Bronze, ML-Mill, WH-White