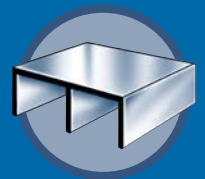
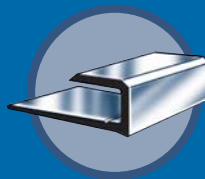
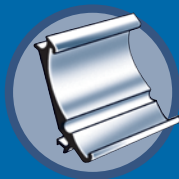
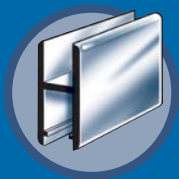


EXTRUDE•A•TRIM
The Aluminum Warehouse

MIRROR, GLASS AND PANEL TRIM



RIGHT SHAPES

RIGHT PRICE

RIGHT NOW



DRAWING	PART NUMBER	DESCRIPTION								
J CAP										
	FR 0230	ALUMINUM CAP FOR 1/16" MATERIAL <table border="1"> <thead> <tr> <th>LENGTH</th> <th>FINISH</th> </tr> </thead> <tbody> <tr> <td>4', 6', 12'</td> <td>AN, BC</td> </tr> </tbody> </table>	LENGTH	FINISH	4', 6', 12'	AN, BC				
LENGTH	FINISH									
4', 6', 12'	AN, BC									
	FR 0330	ALUMINUM CAP FOR 7/64" MATERIAL <table border="1"> <thead> <tr> <th>LENGTH</th> <th>FINISH</th> </tr> </thead> <tbody> <tr> <td>4', 6', 12'</td> <td>AN</td> </tr> </tbody> </table>	LENGTH	FINISH	4', 6', 12'	AN				
LENGTH	FINISH									
4', 6', 12'	AN									
	FR 0430	ALUMINUM CAP FOR 5/32" MATERIAL <table border="1"> <thead> <tr> <th>LENGTH</th> <th>FINISH</th> </tr> </thead> <tbody> <tr> <td>4', 6', 12'</td> <td>AN</td> </tr> </tbody> </table>	LENGTH	FINISH	4', 6', 12'	AN				
LENGTH	FINISH									
4', 6', 12'	AN									
	FR 2132	ALUMINUM BOTTOM RAIL CAP FOR 1/4" MATERIAL <table border="1"> <thead> <tr> <th>LENGTH</th> <th>FINISH</th> </tr> </thead> <tbody> <tr> <td>4', 6'</td> <td>AN, BC, BK, SB, SS</td> </tr> <tr> <td>8'</td> <td>BC</td> </tr> <tr> <td>12'</td> <td>AN, BC, BZ</td> </tr> </tbody> </table>	LENGTH	FINISH	4', 6'	AN, BC, BK, SB, SS	8'	BC	12'	AN, BC, BZ
LENGTH	FINISH									
4', 6'	AN, BC, BK, SB, SS									
8'	BC									
12'	AN, BC, BZ									
	FR 2135	ALUMINUM CAP FOR 3/8" MATERIAL <table border="1"> <thead> <tr> <th>LENGTH</th> <th>FINISH</th> </tr> </thead> <tbody> <tr> <td>4', 6'</td> <td>AN</td> </tr> <tr> <td>12'</td> <td>AN, BC</td> </tr> </tbody> </table>	LENGTH	FINISH	4', 6'	AN	12'	AN, BC		
LENGTH	FINISH									
4', 6'	AN									
12'	AN, BC									

FINISHES: AN-Anodized, BC-Brite Clear, BK-Brite Black, BZ-Bronze, SB-Satin Black, SS-Stainless Steel Brushed



DRAWING	PART NUMBER	DESCRIPTION								
J CAP										
	FR 2136	<p>ALUMINUM TOP CAP FOR 1/2" MATERIAL</p> <table border="1"> <thead> <tr> <th>LENGTH</th> <th>FINISH</th> </tr> </thead> <tbody> <tr> <td>4', 6'</td> <td>AN, BC</td> </tr> <tr> <td>12'</td> <td>AN</td> </tr> </tbody> </table>	LENGTH	FINISH	4', 6'	AN, BC	12'	AN		
LENGTH	FINISH									
4', 6'	AN, BC									
12'	AN									
	FR 2137	<p>ALUMINUM BOTTOM CAP FOR 5/16" MATERIAL</p> <table border="1"> <thead> <tr> <th>LENGTH</th> <th>FINISH</th> </tr> </thead> <tbody> <tr> <td>12'</td> <td>AN, BC, BS</td> </tr> </tbody> </table>	LENGTH	FINISH	12'	AN, BC, BS				
LENGTH	FINISH									
12'	AN, BC, BS									
	FR 2138	<p>ALUMINUM BOTTOM CAP FOR 3/4" MATERIAL</p> <table border="1"> <thead> <tr> <th>LENGTH</th> <th>FINISH</th> </tr> </thead> <tbody> <tr> <td>4', 6', 12'</td> <td>AN</td> </tr> </tbody> </table>	LENGTH	FINISH	4', 6', 12'	AN				
LENGTH	FINISH									
4', 6', 12'	AN									
	FR 3132	<p>ALUMINUM TOP RAIL CAP FOR 1/4" MATERIAL</p> <table border="1"> <thead> <tr> <th>LENGTH</th> <th>FINISH</th> </tr> </thead> <tbody> <tr> <td>4', 6'</td> <td>AN, BC, BK, SB, SS</td> </tr> <tr> <td>8'</td> <td>BC, BS</td> </tr> <tr> <td>12'</td> <td>AN, BC, SS</td> </tr> </tbody> </table>	LENGTH	FINISH	4', 6'	AN, BC, BK, SB, SS	8'	BC, BS	12'	AN, BC, SS
LENGTH	FINISH									
4', 6'	AN, BC, BK, SB, SS									
8'	BC, BS									
12'	AN, BC, SS									
	FR 3139	<p>ALUMINUM TOP CAP FOR 5/16" MATERIAL</p> <table border="1"> <thead> <tr> <th>LENGTH</th> <th>FINISH</th> </tr> </thead> <tbody> <tr> <td>4', 6', 12'</td> <td>AN, BC</td> </tr> </tbody> </table>	LENGTH	FINISH	4', 6', 12'	AN, BC				
LENGTH	FINISH									
4', 6', 12'	AN, BC									

FINISHES: AN-Anodized, BC-Brite Clear, BK-Brite Black, BS-Brass, SB-Satin Black, SS-Stainless Steel Brushed



DRAWING	PART NUMBER	DESCRIPTION								
J CAP										
	FR 3264	<p>ALUMINUM CAP FOR 5/8" MATERIAL</p> <table border="1"> <thead> <tr> <th>LENGTH</th> <th>FINISH</th> </tr> </thead> <tbody> <tr> <td>4', 6', 12'</td> <td>AN</td> </tr> </tbody> </table>	LENGTH	FINISH	4', 6', 12'	AN				
LENGTH	FINISH									
4', 6', 12'	AN									
	FR 3265	<p>ALUMINUM FLANGE CAP FOR 5/8" MATERIAL</p> <table border="1"> <thead> <tr> <th>LENGTH</th> <th>FINISH</th> </tr> </thead> <tbody> <tr> <td>4', 6', 12'</td> <td>AN</td> </tr> </tbody> </table>	LENGTH	FINISH	4', 6', 12'	AN				
LENGTH	FINISH									
4', 6', 12'	AN									
MIRROR EDGE MOULDING										
	FR 1124	<p>ALUMINUM DECORATIVE MIRROR TRIM FOR 1/4" MATERIAL</p> <table border="1"> <thead> <tr> <th>LENGTH</th> <th>FINISH</th> </tr> </thead> <tbody> <tr> <td>4', 6', 12'</td> <td>AN, BC, SS</td> </tr> </tbody> </table>	LENGTH	FINISH	4', 6', 12'	AN, BC, SS				
LENGTH	FINISH									
4', 6', 12'	AN, BC, SS									
	FR 1125	<p>ALUMINUM EDGING FOR 1/4" MATERIAL CAN BE USED WITH CAP FR-2132 AND FR-3132</p> <table border="1"> <thead> <tr> <th>LENGTH</th> <th>FINISH</th> </tr> </thead> <tbody> <tr> <td>4', 6', 12'</td> <td>BC</td> </tr> </tbody> </table>	LENGTH	FINISH	4', 6', 12'	BC				
LENGTH	FINISH									
4', 6', 12'	BC									
	FR 1127	<p>ALUMINUM EDGING FOR 1/4" MATERIAL CAN BE USED WITH CAP FR-2132 AND FR-3132</p> <table border="1"> <thead> <tr> <th>LENGTH</th> <th>FINISH</th> </tr> </thead> <tbody> <tr> <td>4', 6'</td> <td>AN, BC, BK, BS, SB, SS</td> </tr> <tr> <td>8'</td> <td>AN, BC, BS</td> </tr> <tr> <td>12'</td> <td>AN, BC, BK, BS, SS</td> </tr> </tbody> </table>	LENGTH	FINISH	4', 6'	AN, BC, BK, BS, SB, SS	8'	AN, BC, BS	12'	AN, BC, BK, BS, SS
LENGTH	FINISH									
4', 6'	AN, BC, BK, BS, SB, SS									
8'	AN, BC, BS									
12'	AN, BC, BK, BS, SS									

FINISHES: AN-Anodized, BC-Brite Clear, BK-Brite Black, BS-Brass, SB-Satin Black, SS-Stainless Steel Brushed



DRAWING	PART NUMBER	DESCRIPTION						
DIVIDER								
	FR 0231	ALUMINUM DIVIDER FOR 1/16" MATERIAL <table border="1"> <thead> <tr> <th>LENGTH</th> <th>FINISH</th> </tr> </thead> <tbody> <tr> <td>4', 6'</td> <td>AN, BC</td> </tr> <tr> <td>12'</td> <td>AN</td> </tr> </tbody> </table>	LENGTH	FINISH	4', 6'	AN, BC	12'	AN
LENGTH	FINISH							
4', 6'	AN, BC							
12'	AN							
	FR 0431	ALUMINUM DIVIDER FOR 5/32" MATERIAL <table border="1"> <thead> <tr> <th>LENGTH</th> <th>FINISH</th> </tr> </thead> <tbody> <tr> <td>4', 6', 12'</td> <td>AN</td> </tr> </tbody> </table>	LENGTH	FINISH	4', 6', 12'	AN		
LENGTH	FINISH							
4', 6', 12'	AN							
	FR 1131	ALUMINUM DIVIDER FOR 1/2" MATERIAL <table border="1"> <thead> <tr> <th>LENGTH</th> <th>FINISH</th> </tr> </thead> <tbody> <tr> <td>4', 6', 12'</td> <td>AN</td> </tr> </tbody> </table>	LENGTH	FINISH	4', 6', 12'	AN		
LENGTH	FINISH							
4', 6', 12'	AN							
	FR 2131	ALUMINUM DIVIDER FOR 1/4" MATERIAL <table border="1"> <thead> <tr> <th>LENGTH</th> <th>FINISH</th> </tr> </thead> <tbody> <tr> <td>4', 6'</td> <td>AN</td> </tr> <tr> <td>12'</td> <td>AN, BC, BS, SB</td> </tr> </tbody> </table>	LENGTH	FINISH	4', 6'	AN	12'	AN, BC, BS, SB
LENGTH	FINISH							
4', 6'	AN							
12'	AN, BC, BS, SB							
	FR 3131	ALUMINUM DIVIDER FOR 3/4" MATERIAL <table border="1"> <thead> <tr> <th>LENGTH</th> <th>FINISH</th> </tr> </thead> <tbody> <tr> <td>4', 6', 12'</td> <td>AN</td> </tr> </tbody> </table>	LENGTH	FINISH	4', 6', 12'	AN		
LENGTH	FINISH							
4', 6', 12'	AN							
	FR 3263	ALUMINUM DIVIDER FOR 5/8" MATERIAL <table border="1"> <thead> <tr> <th>LENGTH</th> <th>FINISH</th> </tr> </thead> <tbody> <tr> <td>4', 6', 12'</td> <td>AN</td> </tr> </tbody> </table>	LENGTH	FINISH	4', 6', 12'	AN		
LENGTH	FINISH							
4', 6', 12'	AN							

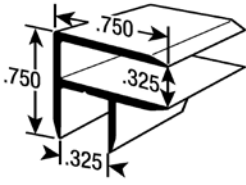
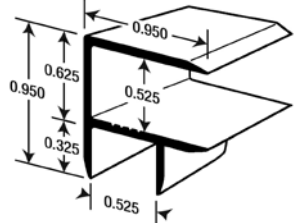
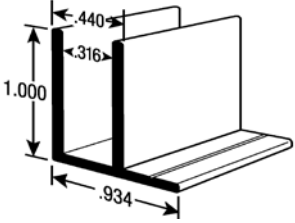
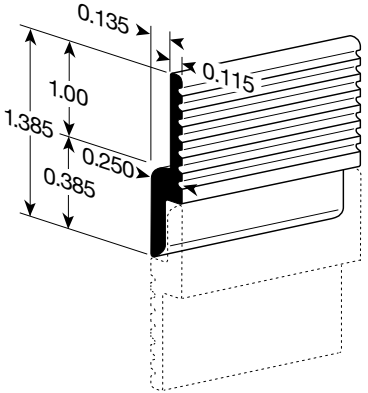
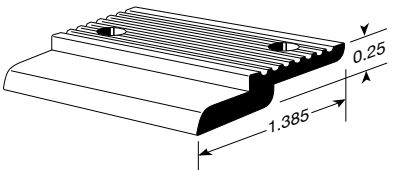
FINISHES: AN-Anodized, BC-Brite Clear, BS-Brass, SB-Satin Black



DRAWING	PART NUMBER	DESCRIPTION						
DIVIDER								
	FR 3266	ALUMINUM DOUBLE DIVIDER FOR 5/8" MATERIAL <table border="1"> <thead> <tr> <th>LENGTH</th> <th>FINISH</th> </tr> </thead> <tbody> <tr> <td>4', 6'</td> <td>AN</td> </tr> <tr> <td>12'</td> <td>AN, ML</td> </tr> </tbody> </table>	LENGTH	FINISH	4', 6'	AN	12'	AN, ML
LENGTH	FINISH							
4', 6'	AN							
12'	AN, ML							
	FR 5131	ALUMINUM DOUBLE DIVIDER FOR 3/4" MATERIAL <table border="1"> <thead> <tr> <th>LENGTH</th> <th>FINISH</th> </tr> </thead> <tbody> <tr> <td>4', 6', 12'</td> <td>AN</td> </tr> </tbody> </table>	LENGTH	FINISH	4', 6', 12'	AN		
LENGTH	FINISH							
4', 6', 12'	AN							
	FR 6131	ALUMINUM DIVIDER FOR 5/16" MATERIAL <table border="1"> <thead> <tr> <th>LENGTH</th> <th>FINISH</th> </tr> </thead> <tbody> <tr> <td>4', 6', 12'</td> <td>AN</td> </tr> </tbody> </table>	LENGTH	FINISH	4', 6', 12'	AN		
LENGTH	FINISH							
4', 6', 12'	AN							
CORNER MOULDING								
	FR 4135	ALUMINUM EDGING FOR 3/4" MATERIAL PRE DRILLED <table border="1"> <thead> <tr> <th>LENGTH</th> <th>FINISH</th> </tr> </thead> <tbody> <tr> <td>12'</td> <td>AN, SS</td> </tr> </tbody> </table>	LENGTH	FINISH	12'	AN, SS		
LENGTH	FINISH							
12'	AN, SS							
	FR 4136	ALUMINUM 90° CORNER MOULDING FOR 3/4" MATERIAL <table border="1"> <thead> <tr> <th>LENGTH</th> <th>FINISH</th> </tr> </thead> <tbody> <tr> <td>4', 6', 12'</td> <td>AN</td> </tr> </tbody> </table>	LENGTH	FINISH	4', 6', 12'	AN		
LENGTH	FINISH							
4', 6', 12'	AN							
	FR 5130	ALUMINUM O/S & I/S CORNER MOULDING FOR 1/4" MATERIAL <table border="1"> <thead> <tr> <th>LENGTH</th> <th>FINISH</th> </tr> </thead> <tbody> <tr> <td>4', 6', 12'</td> <td>AN, BC, BS</td> </tr> </tbody> </table>	LENGTH	FINISH	4', 6', 12'	AN, BC, BS		
LENGTH	FINISH							
4', 6', 12'	AN, BC, BS							

FINISHES: AN-Anodized, BC-Brite Clear, BS-Brass, ML-Mill, SS-Stainless Steel Brushed



DRAWING	PART NUMBER	DESCRIPTION						
CORNER MOULDING								
	FR 5140	ALUMINUM 90° CORNER MOULDING FOR 5/16" MATERIAL <table border="1"> <thead> <tr> <th>LENGTH</th> <th>FINISH</th> </tr> </thead> <tbody> <tr> <td>4', 6'</td> <td>AN</td> </tr> <tr> <td>12'</td> <td>AN, BC</td> </tr> </tbody> </table>	LENGTH	FINISH	4', 6'	AN	12'	AN, BC
LENGTH	FINISH							
4', 6'	AN							
12'	AN, BC							
	FR 5145	ALUMINUM 90° CORNER MOULDING FOR 1/2" MATERIAL <table border="1"> <thead> <tr> <th>LENGTH</th> <th>FINISH</th> </tr> </thead> <tbody> <tr> <td>4', 6', 12'</td> <td>AN</td> </tr> </tbody> </table>	LENGTH	FINISH	4', 6', 12'	AN		
LENGTH	FINISH							
4', 6', 12'	AN							
	FR 7130	ALUMINUM FIXED GLASS MOULDING FOR 1/4" MATERIAL <table border="1"> <thead> <tr> <th>LENGTH</th> <th>FINISH</th> </tr> </thead> <tbody> <tr> <td>4', 6', 12'</td> <td>AN</td> </tr> </tbody> </table>	LENGTH	FINISH	4', 6', 12'	AN		
LENGTH	FINISH							
4', 6', 12'	AN							
Z CLIP								
	FR 0120	ALUMINUM "Z" CLIP EXTRUSION FOR HANGING PANELS PROVIDES 1/4" REVEAL <table border="1"> <thead> <tr> <th>LENGTH</th> <th>FINISH</th> </tr> </thead> <tbody> <tr> <td>4', 6', 12'</td> <td>ML</td> </tr> </tbody> </table>	LENGTH	FINISH	4', 6', 12'	ML		
LENGTH	FINISH							
4', 6', 12'	ML							
	FR 0120 PC	ALUMINUM "Z" CLIP EXTRUSION FOR HANGING PANELS 2" LENGTHS PRE-DRILLED, PROVIDES 1/4" REVEAL <table border="1"> <thead> <tr> <th>QUANTITY</th> <th>FINISH</th> </tr> </thead> <tbody> <tr> <td>SINGLE</td> <td>ML</td> </tr> <tr> <td>BOX OF 250</td> <td>ML</td> </tr> </tbody> </table>	QUANTITY	FINISH	SINGLE	ML	BOX OF 250	ML
QUANTITY	FINISH							
SINGLE	ML							
BOX OF 250	ML							

FINISHES: AN-Anodized, BC-Brite Clear, ML-Mill



DRAWING	PART NUMBER	DESCRIPTION						
Z CLIP								
	FR 0130	<p>ALUMINUM "Z" CLIP EXTRUSION FOR HANGING PANELS 1.385" DEPTH PROVIDES 3/8" LIFT OFF</p> <table border="1"> <thead> <tr> <th>QUANTITY</th> <th>FINISH</th> </tr> </thead> <tbody> <tr> <td>4', 6', 12'</td> <td>ML</td> </tr> </tbody> </table>	QUANTITY	FINISH	4', 6', 12'	ML		
QUANTITY	FINISH							
4', 6', 12'	ML							
	FR 0130 PC	<p>ALUMINUM "Z" CLIP FOR HANGING PANELS 2" LENGTHS PRE-DRILLED</p> <table border="1"> <thead> <tr> <th>QUANTITY</th> <th>FINISH</th> </tr> </thead> <tbody> <tr> <td>SINGLE</td> <td>ML</td> </tr> <tr> <td>BOX OF 250</td> <td>ML</td> </tr> </tbody> </table>	QUANTITY	FINISH	SINGLE	ML	BOX OF 250	ML
QUANTITY	FINISH							
SINGLE	ML							
BOX OF 250	ML							
	FR 0150	<p>ALUMINUM GROOVED "Z" CLIP, PROVIDES 1/5" REVEAL</p> <table border="1"> <thead> <tr> <th>LENGTH</th> <th>FINISH</th> </tr> </thead> <tbody> <tr> <td>4', 6', 12'</td> <td>ML</td> </tr> </tbody> </table>	LENGTH	FINISH	4', 6', 12'	ML		
LENGTH	FINISH							
4', 6', 12'	ML							
	FR 0150 PC	<p>ALUMINUM GROOVED "Z" CLIP 2" LENGTHS PRE-DRILLED, PROVIDES 1/5" REVEAL</p> <table border="1"> <thead> <tr> <th>QUANTITY</th> <th>FINISH</th> </tr> </thead> <tbody> <tr> <td>SINGLE</td> <td>ML</td> </tr> <tr> <td>BOX OF 250</td> <td>ML</td> </tr> </tbody> </table>	QUANTITY	FINISH	SINGLE	ML	BOX OF 250	ML
QUANTITY	FINISH							
SINGLE	ML							
BOX OF 250	ML							
	FR 8130	<p>ALUMINUM "Z" BAR</p> <table border="1"> <thead> <tr> <th>LENGTH</th> <th>FINISH</th> </tr> </thead> <tbody> <tr> <td>4', 6', 12'</td> <td>AN</td> </tr> </tbody> </table>	LENGTH	FINISH	4', 6', 12'	AN		
LENGTH	FINISH							
4', 6', 12'	AN							

FINISHES: AN-Anodized, ML-Mill