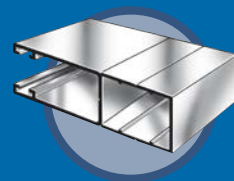
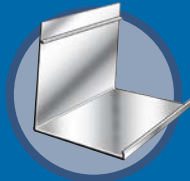
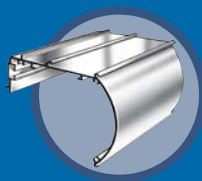
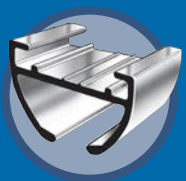


EXTRUDE·A·TRIM
The Aluminum Warehouse

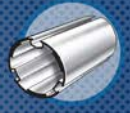
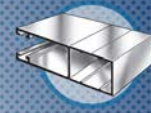
ROLLER SHADE EXTRUSIONS



RIGHT SHAPES |

RIGHT PRICE |

RIGHT NOW



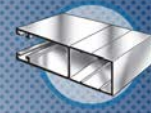
ROLLER SHADE EXTRUSIONS

DRAWING	PART NUMBER	DESCRIPTION				
	CP 7915*	<p>2.5" TUBE</p> <table border="1"> <tr> <th>LENGTH</th> <th>FINISH</th> </tr> <tr> <td>236"</td> <td>ML</td> </tr> </table>	LENGTH	FINISH	236"	ML
LENGTH	FINISH					
236"	ML					
	FR 7004	<p>1.26" TUBE</p> <table border="1"> <tr> <th>LENGTH</th> <th>FINISH</th> </tr> <tr> <td>183", 196"</td> <td>ML</td> </tr> </table>	LENGTH	FINISH	183", 196"	ML
LENGTH	FINISH					
183", 196"	ML					
	FR 7007	<p>1.75" TUBE</p> <table border="1"> <tr> <th>LENGTH</th> <th>FINISH</th> </tr> <tr> <td>236"</td> <td>ML</td> </tr> </table>	LENGTH	FINISH	236"	ML
LENGTH	FINISH					
236"	ML					
	FR 7010	<p>3" HEADER</p> <table border="1"> <tr> <th>LENGTH</th> <th>FINISH</th> </tr> <tr> <td>196"</td> <td>AN, BK, CR, DB, ML, WH</td> </tr> </table>	LENGTH	FINISH	196"	AN, BK, CR, DB, ML, WH
LENGTH	FINISH					
196"	AN, BK, CR, DB, ML, WH					

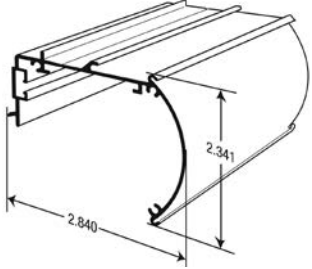
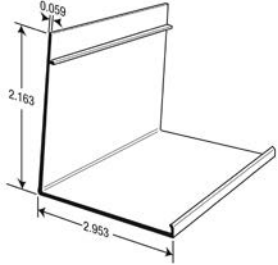
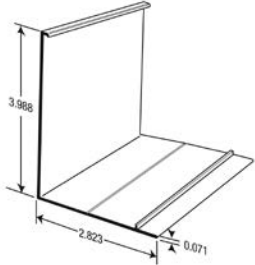
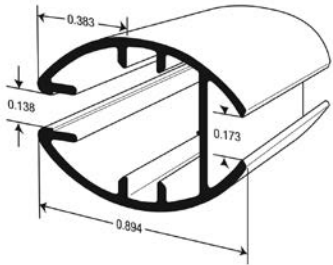
*Min. 550 lb order qty.

NOTE: Additional finishes available on request.

FINISHES: AN-Anodized, BK-Brite Black, CR-Cream, DB-Dark Bronze, ML-Mill, WH-White

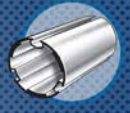
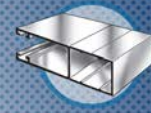


ROLLER SHADE EXTRUSIONS

DRAWING	PART NUMBER	DESCRIPTION				
	FR 7011	<p>2.5" HEADER</p> <table border="1"> <tr> <th>LENGTH</th> <th>FINISH</th> </tr> <tr> <td>144"</td> <td>AN, BK, CR, DB, ML, WH</td> </tr> </table>	LENGTH	FINISH	144"	AN, BK, CR, DB, ML, WH
LENGTH	FINISH					
144"	AN, BK, CR, DB, ML, WH					
	CP 7266	<p>3" FASCIA</p> <table border="1"> <tr> <th>LENGTH</th> <th>FINISH</th> </tr> <tr> <td>236"</td> <td>AN</td> </tr> </table>	LENGTH	FINISH	236"	AN
LENGTH	FINISH					
236"	AN					
	CP 7900	<p>4" FASCIA</p> <table border="1"> <tr> <th>LENGTH</th> <th>FINISH</th> </tr> <tr> <td>236"</td> <td>AN</td> </tr> </table>	LENGTH	FINISH	236"	AN
LENGTH	FINISH					
236"	AN					
	CP 1013	<p>BOTTOM WEIGHT BAR</p> <table border="1"> <tr> <th>LENGTH</th> <th>FINISH</th> </tr> <tr> <td>183"</td> <td>WH</td> </tr> </table>	LENGTH	FINISH	183"	WH
LENGTH	FINISH					
183"	WH					

NOTE: Additional finishes available on request.

FINISHES: AN-Anodized, BK-Brite Black, CR-Cream, DB-Dark Bronze, ML-Mill, WH-White



ROLLER SHADE EXTRUSIONS

DRAWING	PART NUMBER	DESCRIPTION				
	FR 7025	<p>BOTTOM WEIGHT BAR</p> <table border="1"> <thead> <tr> <th>LENGTH</th> <th>FINISH</th> </tr> </thead> <tbody> <tr> <td>196"</td> <td>AN, WH</td> </tr> </tbody> </table>	LENGTH	FINISH	196"	AN, WH
LENGTH	FINISH					
196"	AN, WH					
	CP 6010	<p>CEILING TRACK</p> <table border="1"> <thead> <tr> <th>LENGTH</th> <th>FINISH</th> </tr> </thead> <tbody> <tr> <td>236"</td> <td>AN</td> </tr> </tbody> </table>	LENGTH	FINISH	236"	AN
LENGTH	FINISH					
236"	AN					
	CP 7920	<p>BRACKET</p> <table border="1"> <thead> <tr> <th>LENGTH</th> <th>FINISH</th> </tr> </thead> <tbody> <tr> <td>236"</td> <td>AN</td> </tr> </tbody> </table>	LENGTH	FINISH	236"	AN
LENGTH	FINISH					
236"	AN					

NOTE: Additional finishes available on request.

FINISHES: AN-Anodized, WH-White