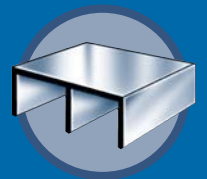
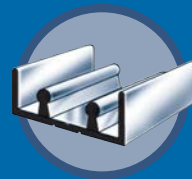
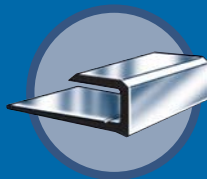
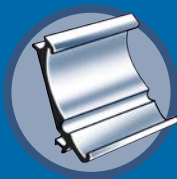
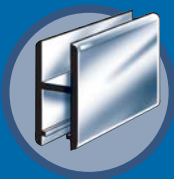


**EXTRUDE•A•TRIM**  
*The Aluminum Warehouse*

# ASSORTED FIXTURE TRIM



---

**RIGHT SHAPES**

**RIGHT PRICE**

**RIGHT NOW**

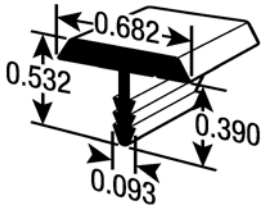
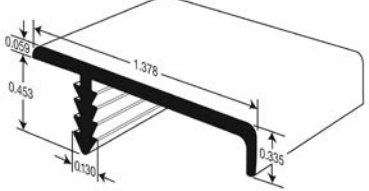
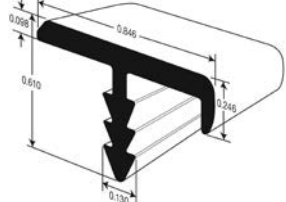
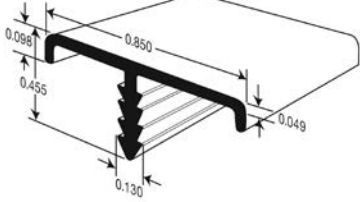
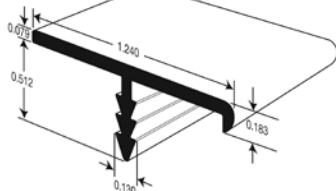


| DRAWING             | PART NUMBER          | DESCRIPTION  |        |              |             |                      |             |                   |
|---------------------|----------------------|--|--------|--------------|-------------|----------------------|-------------|-------------------|
| <b>CHANNEL CAP</b>  |                      |  |        |              |             |                      |             |                   |
|                     | EM 3197              | ALUMINUM CHANNEL CAP FOR 3/4" MATERIAL<br><table border="1"> <thead> <tr> <th>LENGTH</th> <th>FINISH</th> </tr> </thead> <tbody> <tr> <td>4', 6'</td> <td>AN</td> </tr> <tr> <td>12'</td> <td>AN, SS</td> </tr> </tbody> </table>              | LENGTH | FINISH       | 4', 6'      | AN                   | 12'         | AN, SS            |
| LENGTH              | FINISH               |  |        |              |             |                      |             |                   |
| 4', 6'              | AN                   |  |        |              |             |                      |             |                   |
| 12'                 | AN, SS               |  |        |              |             |                      |             |                   |
|                     | EM 3198              | ALUMINUM CHANNEL CAP FOR 5/8" MATERIAL<br><table border="1"> <thead> <tr> <th>LENGTH</th> <th>FINISH</th> </tr> </thead> <tbody> <tr> <td>4', 6'</td> <td>AN</td> </tr> <tr> <td>12'</td> <td>AN, SS</td> </tr> </tbody> </table>              | LENGTH | FINISH       | 4', 6'      | AN                   | 12'         | AN, SS            |
| LENGTH              | FINISH               |  |        |              |             |                      |             |                   |
| 4', 6'              | AN                   |  |        |              |             |                      |             |                   |
| 12'                 | AN, SS               |  |        |              |             |                      |             |                   |
|                     | EM 7006              | VINYL CHANNEL CAP FOR 3/4" MATERIAL<br><table border="1"> <thead> <tr> <th>LENGTH</th> <th>VINYL COLOUR</th> </tr> </thead> <tbody> <tr> <td>8'</td> <td>ALMOND, BLACK, WHITE</td> </tr> </tbody> </table>                                     | LENGTH | VINYL COLOUR | 8'          | ALMOND, BLACK, WHITE |             |                   |
| LENGTH              | VINYL COLOUR         |  |        |              |             |                      |             |                   |
| 8'                  | ALMOND, BLACK, WHITE |  |        |              |             |                      |             |                   |
| <b>CORNER BEAD</b>  |                      |  |        |              |             |                      |             |                   |
|                     | EM 5432**            | 5/8" CORNER BEAD<br><table border="1"> <thead> <tr> <th>LENGTH</th> <th>FINISH</th> </tr> </thead> <tbody> <tr> <td>12'</td> <td>AN</td> </tr> </tbody> </table>   | LENGTH | FINISH       | 12'         | AN                   |             |                   |
| LENGTH              | FINISH               |  |        |              |             |                      |             |                   |
| 12'                 | AN                   |  |        |              |             |                      |             |                   |
| <b>COUNTER EDGE</b> |                      |  |        |              |             |                      |             |                   |
|                     | EM 2402<br>EM 2404   | COUNTER EDGING<br><table border="1"> <thead> <tr> <th>LENGTH</th> <th>FINISH</th> </tr> </thead> <tbody> <tr> <td>4', 6', 12'</td> <td>EM 2402 7/8" AN</td> </tr> <tr> <td>4', 6', 12'</td> <td>EM 2404 1 1/4" AN</td> </tr> </tbody> </table> | LENGTH | FINISH       | 4', 6', 12' | EM 2402 7/8" AN      | 4', 6', 12' | EM 2404 1 1/4" AN |
| LENGTH              | FINISH               |  |        |              |             |                      |             |                   |
| 4', 6', 12'         | EM 2402 7/8" AN      |  |        |              |             |                      |             |                   |
| 4', 6', 12'         | EM 2404 1 1/4" AN    |  |        |              |             |                      |             |                   |
|                     | EM 2602              | 7/8" COUNTER CENTRE EDGING<br><table border="1"> <thead> <tr> <th>LENGTH</th> <th>FINISH</th> </tr> </thead> <tbody> <tr> <td>4', 6'</td> <td>AN, BC</td> </tr> <tr> <td>12'</td> <td>AN, BC, BS</td> </tr> </tbody> </table>                  | LENGTH | FINISH       | 4', 6'      | AN, BC               | 12'         | AN, BC, BS        |
| LENGTH              | FINISH               |  |        |              |             |                      |             |                   |
| 4', 6'              | AN, BC               |  |        |              |             |                      |             |                   |
| 12'                 | AN, BC, BS           |  |        |              |             |                      |             |                   |

\*\*Min. 550 lb order qty.

**FINISHES:** AN-Anodized, BC-Brite Clear, BS-Brass, SS-Stainless Steel Brushed



| DRAWING   | PART NUMBER | DESCRIPTION  |        |        |             |            |
|---|-------------|--|--------|--------|-------------|------------|
| <b>T-EDGE</b>   |             |  |        |        |             |            |
|    | EM 3162     | <p>1 1/16" T-EDGING</p> <table border="1"> <thead> <tr> <th>LENGTH</th> <th>FINISH</th> </tr> </thead> <tbody> <tr> <td>4', 6', 12'</td> <td>AN</td> </tr> </tbody> </table> | LENGTH | FINISH | 4', 6', 12' | AN         |
| LENGTH  | FINISH      |  |        |        |             |            |
| 4', 6', 12'   | AN          |  |        |        |             |            |
|    | EM 3191     | <p>1 3/8" T-EDGING</p> <table border="1"> <thead> <tr> <th>LENGTH</th> <th>FINISH</th> </tr> </thead> <tbody> <tr> <td>12'</td> <td>AN, BC, SS</td> </tr> </tbody> </table>  | LENGTH | FINISH | 12'         | AN, BC, SS |
| LENGTH  | FINISH      |  |        |        |             |            |
| 12'   | AN, BC, SS  |  |        |        |             |            |
|   | EM 3193     | <p>27/32" T-EDGING</p> <table border="1"> <thead> <tr> <th>LENGTH</th> <th>FINISH</th> </tr> </thead> <tbody> <tr> <td>12'</td> <td>AN, SS</td> </tr> </tbody> </table>      | LENGTH | FINISH | 12'         | AN, SS     |
| LENGTH  | FINISH      |  |        |        |             |            |
| 12'   | AN, SS      |  |        |        |             |            |
|  | EM 3194     | <p>27/32" T-EDGING</p> <table border="1"> <thead> <tr> <th>LENGTH</th> <th>FINISH</th> </tr> </thead> <tbody> <tr> <td>12'</td> <td>AN, SS</td> </tr> </tbody> </table>      | LENGTH | FINISH | 12'         | AN, SS     |
| LENGTH  | FINISH      |  |        |        |             |            |
| 12'   | AN, SS      |  |        |        |             |            |
|  | EM 3195     | <p>1 1/4" T-EDGING</p> <table border="1"> <thead> <tr> <th>LENGTH</th> <th>FINISH</th> </tr> </thead> <tbody> <tr> <td>12'</td> <td>AN, SS</td> </tr> </tbody> </table>      | LENGTH | FINISH | 12'         | AN, SS     |
| LENGTH  | FINISH      |  |        |        |             |            |
| 12'   | AN, SS      |  |        |        |             |            |

FINISHES: AN-Anodized, BC-Brite Clear, SS-Stainless Steel Brushed



| DRAWING       | PART NUMBER | DESCRIPTION  |        |        |             |        |
|---------------|-------------|--|--------|--------|-------------|--------|
| <b>T-EDGE</b> |             |  |        |        |             |        |
|               | EM 3196     | <p>1 11/16" T-EDGING</p> <table border="1"> <tr> <th>LENGTH</th> <th>FINISH</th> </tr> <tr> <td>12'</td> <td>AN, SS</td> </tr> </table>  | LENGTH | FINISH | 12'         | AN, SS |
| LENGTH        | FINISH      |  |        |        |             |        |
| 12'           | AN, SS      |  |        |        |             |        |
|               | EM 5431     | <p>5/16" T-EDGING</p> <table border="1"> <tr> <th>LENGTH</th> <th>FINISH</th> </tr> <tr> <td>4', 6', 12'</td> <td>AN</td> </tr> </table> | LENGTH | FINISH | 4', 6', 12' | AN     |
| LENGTH        | FINISH      |  |        |        |             |        |
| 4', 6', 12'   | AN          |  |        |        |             |        |
|               | EM 5481     | <p>13/16" T-EDGING</p> <table border="1"> <tr> <th>LENGTH</th> <th>FINISH</th> </tr> <tr> <td>12'</td> <td>AN</td> </tr> </table>        | LENGTH | FINISH | 12'         | AN     |
| LENGTH        | FINISH      |  |        |        |             |        |
| 12'           | AN          |  |        |        |             |        |
|               | EM 5482     | <p>13/16" T-EDGING</p> <table border="1"> <tr> <th>LENGTH</th> <th>FINISH</th> </tr> <tr> <td>12'</td> <td>AN, BC</td> </tr> </table>    | LENGTH | FINISH | 12'         | AN, BC |
| LENGTH        | FINISH      |  |        |        |             |        |
| 12'           | AN, BC      |  |        |        |             |        |

**FINISHES:** AN-Anodized, BC-Brite Clear, SS-Stainless Steel Brushed





| DRAWING            | PART NUMBER | DESCRIPTION  |
|--------------------|-------------|--|
| <b>FINGER PULL</b> |             |  |
|                    | EM 3187     | 3/4" FINGER PULL<br><u>LENGTH</u> <u>FINISH</u><br>12'                                      AN   |
|                    | EM 3188     | 5/8" FINGER PULL<br><u>LENGTH</u> <u>FINISH</u><br>12'                                      AN, SS   |
|                    | EM 3189     | 3/4" FINGER PULL<br><u>LENGTH</u> <u>FINISH</u><br>4', 6'                                      AN<br>12'                                      AN, BC |
|                    | EM 3190     | 5/8" FINGER PULL<br><u>LENGTH</u> <u>FINISH</u><br>12'                                      AN, SS   |
| <b>DRAWER PULL</b> |             |  |
|                    | EM 3181     | 1 3/16" DRAWER PULL<br><u>LENGTH</u> <u>FINISH</u><br>4', 8', 12'                                      AN  |
|                    | EM 3182     | 1 3/16" DRAWER PULL<br><u>LENGTH</u> <u>FINISH</u><br>4', 6', 12'                                      AN  |

FINISHES: AN-Anodized, BC-Brite Clear, SS-Stainless Steel Brushed



| DRAWING            | PART NUMBER | DESCRIPTION  |
|--------------------|-------------|--|
| <b>DRAWER PULL</b> |             |  |
|                    | EM 3183     | 1 5/16" DRAWER PULL<br><b>LENGTH</b> <b>FINISH</b><br>4', 6', 12'                              AN  |
|                    | EM 3184     | 1 5/16" DRAWER PULL<br><b>LENGTH</b> <b>FINISH</b><br>4', 6', 8', 12'                              AN  |
|                    | EM 3186     | 1 21/32" DRAWER PULL<br><b>LENGTH</b> <b>FINISH</b><br>8', 12'                                      AN, SS   |
|                    | EM 3199     | 1 17/32" DRAWER PULL<br><b>LENGTH</b> <b>FINISH</b><br>4', 6'                                      AN<br>12'    AN, SS |
|                    | EM 3200     | 1 17/32" DRAWER PULL<br><b>LENGTH</b> <b>FINISH</b><br>4', 6'                                      AN<br>12'    AN, SS |

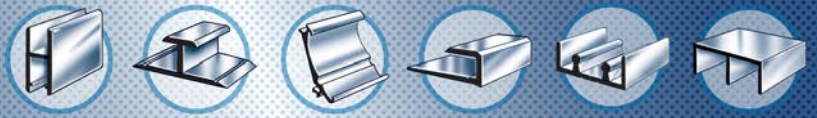
FINISHES: AN-Anodized, SS-Stainless Steel Brushed



| DRAWING         | PART NUMBER | DESCRIPTION   |
|-----------------|-------------|---|
| <b>SLOTWALL</b> |             |   |
|                 | EM 0195     | ALUMINUM SLOTWALL INSERT<br><b>LENGTH</b> <b>FINISH</b><br>4', 8'                              ML   |
|                 | EM 0197     | ALUMINUM SLOTWALL INSERT<br><b>LENGTH</b> <b>FINISH</b><br>4', 8'                              ML   |
|                 | EM 0206     | ALUMINUM SLOTWALL INSERT<br><b>LENGTH</b> <b>FINISH</b><br>4', 8'                              ML   |
|                 | EM 0208     | ALUMINUM SLOTWALL INSERT<br><b>LENGTH</b> <b>FINISH</b><br>4', 8'                              ML   |
|                 | EM 0300     | VINYL DECORATIVE SLOTWALL INSERT<br><b>LENGTH</b> <b>COLOUR</b><br>8'                                      BLACK<br><br>MINIMUM ORDER 330 PIECES. |

FINISHES: ML-Mill





| DRAWING              | PART NUMBER | DESCRIPTION   |
|----------------------|-------------|---|
| <b>SLOTWALL</b>      |             |   |
|                      | EM 0700     | SLOTWALL INTER-LOCKING PANEL<br><b>LENGTH</b> <b>FINISH</b><br>146"                                      ML                                   |
|                      | EM 1074     | ALUMINUM SLOTWALL INSERT<br><b>LENGTH</b> <b>FINISH</b><br>97"                                      ML  |
| <b>TRIM CAP</b>      |             |   |
|                      | EM 0142     | ALUMINUM 3/4" TRIM CAP<br>FLEXIBLE TO MOULD AROUND TIGHT RADIUS<br><b>LENGTH</b> <b>FINISH</b><br>12'                                      BC |
| <b>AWNING RAIL</b>   |             |   |
|                      | BM 3078     | ALUMINUM AWNING RAIL 3/8" I.D.<br><b>LENGTH</b> <b>FINISH</b><br>4', 6', 12'                      AN  |
| <b>SLIDING TRACK</b> |             |   |
|                      | BM 3084     | ALUMINUM SLIDING TRACK<br><b>LENGTH</b> <b>FINISH</b><br>4', 6', 12'                      AN  |

FINISHES: AN-Anodized, BC-Brite Clear, ML-Mill





| DRAWING            | PART NUMBER  | DESCRIPTION   |        |        |             |              |
|--------------------|--------------|---|--------|--------|-------------|--------------|
| <b>SCREEN DOOR</b> |              |   |        |        |             |              |
|                    | EM 3150      | SCREEN DOOR EXTRUSION 1" HEIGHT<br><table border="1"> <thead> <tr> <th>LENGTH</th> <th>FINISH</th> </tr> </thead> <tbody> <tr> <td>12'</td> <td>BROWN, WHITE</td> </tr> </tbody> </table> | LENGTH | FINISH | 12'         | BROWN, WHITE |
| LENGTH             | FINISH       |   |        |        |             |              |
| 12'                | BROWN, WHITE |   |        |        |             |              |
| <b>CHALK TRAY</b>  |              |   |        |        |             |              |
|                    | FR 7255      | 3 1/2" ALUMINUM CHALK TRAY RAIL<br><table border="1"> <thead> <tr> <th>LENGTH</th> <th>FINISH</th> </tr> </thead> <tbody> <tr> <td>4', 6', 12'</td> <td>AN</td> </tr> </tbody> </table>   | LENGTH | FINISH | 4', 6', 12' | AN           |
| LENGTH             | FINISH       |   |        |        |             |              |
| 4', 6', 12'        | AN           |   |        |        |             |              |

FINISHES: AN-Anodized