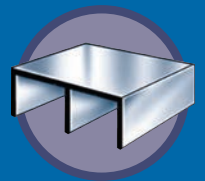
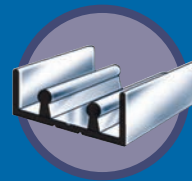
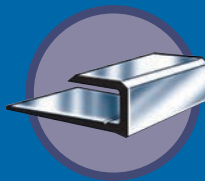
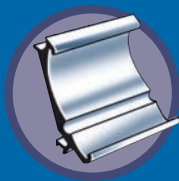
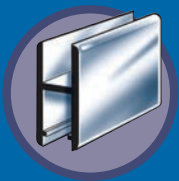


# STANDARD SHAPES/ STRUCTURAL SHAPES

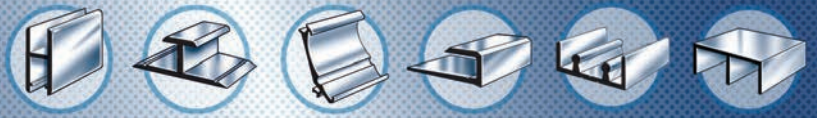


---

**RIGHT SHAPES** |

**RIGHT PRICE** |

**RIGHT NOW**



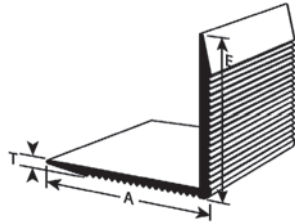
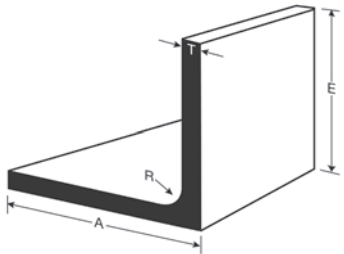
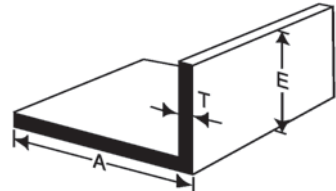
DRAWING	PART NUMBER	DIMENSIONS				LENGTH	FINISH
		E	A	T	I/R		
<b>ANGLES - Equal Leg - Architectural</b>							
	IE 1207	5/8"	5/8"	1/16"		4', 6', 12'	AN
	IE 1208	13/16"	13/16"	0.060"		4', 6', 21'	AN
	IE 1209	1/2"	1/2"	1/16"		8' 4', 6', 12' 21'	AN, BC AN, BC, BK, SB, SS ML
	IE 1210	1/2"	1/2"	0.045"		4', 6', 12'	AN
	IE 1212	3/4"	3/4"	0.045"		4', 6' 12'	AN AN, SB
	IE 1213	3/4"	3/4"	1/16"		8' 4', 6', 12' 21', 24'	AN, BC, SB AN, BC, BK, BS, SB, SS ML
	IE 1214	1"	1"	0.045"		4', 6' 12'	AN AN, BC
	IE 1215	1"	1"	1/16"		8' 4', 6', 12' 21'	AN, BC, SB AN, BC, BK, BS, SB, SS ML
	IE 1216	1 1/4"	1 1/4"	1/16"		4', 6' 12'	AN, SB AN, ML, SB
	IE 1218	1 1/2"	1 1/2"	1/16"		4', 6', 12'	AN
	IE 1232	3/4"	3/4"	1/8"		4', 6', 12' 21', 24'	AN, SB ML
	IE 1234	1"	1"	1/8"		4', 6' 8', 12' 21', 24'	AN, SB AN ML
	IE 1235	1 1/4"	1 1/4"	1/8"		21', 24'	ML
	IE 1236	1 1/2"	1 1/2"	1/8"		4', 6' 8' 12' 21', 24'	AN AN, BC AN, BC, SS ML
	IE 1238	2"	2"	1/8"		4', 6' 12' 21', 24'	AN, SB AN ML
	IE 1240	3"	3"	1/8"		4', 6', 12', 24'	AN
	IE 1241	3 1/2"	3 1/2"	1/8"		24'	ML
	IE 1244	1 1/2"	1 1/2"	1/4"		4', 6', 12'	AN
	IE 1250	2"	2"	1/4"		4', 6', 12'	AN

**NOTE:** 4ft and 6ft product is in stock in the U.S. only.

**NOTE:** Minimum order quantities may apply on 20ft, 21ft and 24ft material.

**FINISHES:** AN-Anodized, BC-Brite Clear, BK-Brite Black, BS-Brass, ML-Mill, SB-Satin Black, SS-Stainless Steel Brushed



DRAWING	PART NUMBER	DIMENSIONS				LENGTH	FINISH
		E	A	T	I/R		
<b>ANGLES - Equal Leg - Architectural</b>							
	IE 5892	1 1/2"	1 1/2"	3/32"		4', 6', 12'	ML
<b>ANGLES - Rounded Inside Equal Leg - Structural</b>							
	IE 1316	1 1/4"	1 1/4"	1/8"	0.125"	20'	ML
	IE 1334	1"	1"	1/8"	0.125"	20'	ML
	IE 1336	1 1/2"	1 1/2"	1/8"	0.125"	20'	ML
	IE 1338	2"	2"	1/8"	0.125"	20'	ML
	IE 1339	2 1/2"	2 1/2"	3/16"	0.188"	20'	ML
	IE 1344	1 1/2"	1 1/2"	1/4"	0.250"	20'	ML
	IE 1350	2"	2"	1/4"	0.250"	20'	ML
	IE 1351	2 1/2"	2 1/2"	1/4"	0.250"	20'	ML
	IE 1352	3"	3"	1/4"	0.250"	20'	ML
	IE 1354	4"	4"	1/4"	0.250"	20'	ML
	IE 1356	6"	6"	3/8"	0.375"	20'	ML
	IE 1362	2"	2"	3/8"	0.375"	20'	ML
<b>ANGLES - Unequal Leg - Architectural</b>							
	IE 1406	1/4"	3/4"	1/16"		4', 6' 12'	AN AN, BC
	IE 1408	3/8"	7/8"	1/16"		4', 6', 12'	AN, BZ, SB
	IE 1410	1/2"	3/4"	0.050"		8'	AN
	IE 1411	1/2"	1"	1/16"		4', 6', 12' 8'	AN, BC AN
	IE 1412	1"	1 1/2"	1/16"		4', 6', 12'	AN, BC, SS AN
	IE 1413	3/4"	1"	0.062"		4', 6', 12'	AN
	IE 1414	1"	2"	1/16"		4', 6', 12'	AN
	IE 1416	3/4"	1 1/2"	1/16"		4', 6' 8' 12'	AN, SB SB AN, BC, SB

**NOTE:** 4ft and 6ft product is in stock in the U.S. only.

**NOTE:** Minimum order quantities may apply on 20ft, 21ft and 24ft material.

**FINISHES:** AN-Anodized, BC-Brite Clear, BZ-Bronze, ML-Mill, SB-Satin Black, SS-Stainless Steel Brushed



DRAWING	PART NUMBER	DIMENSIONS				LENGTH	FINISH
		E	A	T	I/R		
<b>ANGLES - Unequal Leg - Architectural</b>							
	IE 1432	1/2"	1"	1/8"		4', 6' 12'	AN, SB AN
	IE 1434	3/4"	1"	1/8"		4', 6', 12' 21', 24'	AN ML
	IE 1435	3/4"	1 1/2"	1/8"		4', 6' 8' 12' 21'	AN, SS AN AN, BC, SS ML
	IE 1436	1"	1 1/2"	1/8"		4', 6', 12' 21'	AN ML
	IE 1437	1 1/2"	2"	1/8"		21', 24'	ML
	IE 1438	1"	2"	1/8"		4', 6' 12' 21', 24'	AN, SB AN ML
	IE 1440	1"	3"	1/8"		4', 6', 12' 21', 24'	AN ML
	IE 1446	2"	4"	1/8"		12'	AN
	IE 1460	3/4"	4 1/4"	0.075"		10'	BC, SS
	<b>ANGLES - Rounded Inside Unequal Leg - Structural</b>						
	IE 1536	1 1/2"	1"	1/8"	0.125"	20'	ML
	IE 1537	2"	1 1/2"	1/4"	0.250"	20'	ML
	IE 1544	2 1/2"	1 1/2"	1/4"	0.250"	20'	ML
	IE 1545	3"	2"	1/4"	0.250"	20'	ML
	IE 1548	1 1/2"	2 1/2"	3/16"	0.187"	20'	ML
	IE 1560	3"	5"	1/4"	0.250"	20', 24'	ML

**NOTE:** 4ft and 6ft product is in stock in the U.S. only.

**NOTE:** Minimum order quantities may apply on 20ft, 21ft and 24ft material.

**FINISHES:** AN-Anodized, BC-Brite Clear, BS-Brass, ML-Mill, SB-Satin Black, SS-Stainless Steel Brushed



DRAWING	PART NUMBER	DIMENSIONS				LENGTH	FINISH
		E	A	T	I/R		
<b>CHANNEL - Architectural</b>							
	IE 1605	1/4"	1/4"	1/16"	0.125"	4', 6', 12'	AN, ML
	IE 1610	3/8"	3/8"	1/16"	1/4"	4', 6' 8' 12'	AN, BC, SS AN, SS AN, BC, BS, SS
	IE 1611	3/8"	1/2"	1/16"	0.375"	4', 6', 12'	AN
	IE 1612	1/2"	3/8"	0.045"	0.270"	4', 6', 12'	AN, BC, SS
	IE 1613	1 1/4"	1/2"	1/16"	3/8"	4', 6', 12'	AN
	IE 1614	1/2"	1/2"	1/16"	3/8"	4', 6' 8', 12' 12' 24'	AN, BC, SB AN, BC BS ML
	IE 1615	3/4"	0.524"	1/16"	0.398"	4', 6', 8', 12'	BC, SS
	IE 1616	5/8"	5/8"	1/16"	1/2"	4', 6', 8' 12'	AN, BC AN, BC, BS
	IE 1617	5/8"	3/4"	1/16"	5/8"	8' 4', 6', 12'	AN AN, BC
	IE 1618	5/8"	7/8"	1/16"	3/4"	4', 6' 8' 12'	AN, BC, SB AN, BC AN, BC, BS, SB
	IE 1619	5/8"	1"	1/16"	7/8"	4', 6', 12'	AN
	IE 1620	5/8"	1 1/8"	0.055"	1"	4', 6' 12'	AN AN, BZ
	IE 1621	3/4"	9/16"	0.060"	7/16"	4', 6' 8' 12'	AN, BC, BK, SB, SS AN, SS AN, BC, BK, BS, BZ, SS
	IE 1622	3/8"	9/16"	1/16"	7/16"	4', 6' 12'	AN, BC AN, BK
	IE 1623	3/4"	3/4"	1/16"	5/8"	4', 6', 12'	AN
	IE 1624	1"	5/8"	1/16"	1/2"	4', 6' 8' 12'	AN, BC, SB, SS AN, BC AN, BC, BK, BS

**NOTE:** 4ft and 6ft product is in stock in the U.S. only.

**NOTE:** Minimum order quantities may apply on 20ft, 21ft and 24ft material.

**FINISHES:** AN-Anodized, BC-Brite Clear, BK-Brite Black, BS-Brass, BZ-Bronze, ML-Mill, SB-Satin Black, SS-Stainless Steel Brushed



DRAWING	PART NUMBER	DIMENSIONS				LENGTH	FINISH
		E	A	T	I/R		
<b>CHANNEL - Architectural</b>							
	IE 1633	3/4"	3/4"	3/32"	9/16"	4', 6', 12'	AN, BC
	IE 1634	3/4"	3/4"	1/8"	1/2"	4', 6', 12' 21', 24'	AN ML
	IE 1636	3/4"	1"	1/8"	3/4"	4', 6', 12'	AN
	IE 1638	1/2"	1"	1/8"	3/4"	4', 6', 12' 21', 24'	AN ML
	IE 1639	5/8"	1 1/4"	1/8"	1"	4', 6', 12'	AN
	IE 1640	1/2"	1 1/2"	1/8"	1 1/4"	4', 6', 12' 21', 24'	AN ML
	IE 1641	1/2"	3/4"	1/8"	1/2"	4', 6', 12'	AN
	IE 1642	1"	1"	1/8"	3/4"	4', 6' 12' 21', 24'	AN, BC, SB, SS AN, BC, SS ML
	IE 1643	1 1/2"	1"	1/8"	3/4"	4', 6' 12' 21', 24'	AN, BC, SB, SS AN, BC, SS ML
	IE 1644	1"	1 1/2"	1/8"	1 1/4"	4', 6', 8' 12' 24'	AN AN ML
	IE 1645	3/4"	1 3/4"	0.090"	1 1/2"	4', 6', 12'	AN
	IE 1646	1"	2"	1/8"	1 3/4"	4', 6', 12' 24'	AN ML
	IE 1647	1/2"	2"	1/8"	1 3/4"	4', 6', 12'	AN
	IE 1648	1"	3"	1/8"	2 3/4"	4', 6', 12'	AN
	IE 1650	2"	1"	1/8"	3/4"	4', 6' 12' 24'	AN, SB, SS AN, SS ML
	IE 1651	1 1/2"	1 1/2"	1/8"	1 1/4"	21', 24'	ML
	IE 1654	2"	1 3/4"	1/8"	1 1/2"	4', 6', 12'	AN

**NOTE:** 4ft and 6ft product is in stock in the U.S. only.

**NOTE:** Minimum order quantities may apply on 20ft, 21ft and 24ft material.

**FINISHES:** AN-Anodized, BC-Brite Clear, ML-Mill, SB-Satin Black, SS-Stainless Steel Brushed



DRAWING	PART NUMBER	DIMENSIONS				LENGTH	FINISH
		E	A	T	I/R		
<b>CHANNEL - Rounded Outside - Architectural</b>							
	IE 1625*	3/8"	9/16"	0.080"	0.403"	4', 6' 12'	BC AN, BC, SB, SS
	IE 1626*	3/8"	0.678"	0.080"	0.518"	4', 6', 12'	AN, BC, SB, SS
	IE 1627*	3/4"	9/16"	0.080"	0.403"	4', 6', 98", 12'	AN, BC, SB, SS
	IE 1628*	3/4"	0.678"	0.080"	0.518"	4', 6', 12'	AN, BC, SB, SS
<b>CHANNEL - Rounded Inside - Structural</b>							
	IE 1729	1 1/2"	2"	1/8"	0.125"	20'	ML
	IE 1754	2"	3"	1/4"	0.188"	20'	ML
	IE 1755	2"	4"	3/16"	0.375"	20'	ML
	IE 1756	1 1/2"	3"	1/4"	0.312"	20'	ML
	IE 1757	2"	6"	0.281"	0.437"	20'	ML
	IE 1760	2"	4"	1/4"	0.250"	24'	ML
	IE 1776	3"	8"	9/32"	0.500"	24'	ML
	IE 1778	2 1/2"	6"	1/4"	0.437"	20'	ML
IE 1782	3"	10"	9/32"	0.562"	20'	ML	
<b>T BAR - Architectural</b>							
	IE 1830	3/4"	3/4"	1/8"		4', 6', 12'	AN
	IE 1831	1"	2"	1/8"		4', 6', 12'	ML
	IE 1832	1"	1"	1/8"		4', 6', 12'	AN, ML
	IE 1834	2"	2"	1/8"		4', 6', 12'	AN
	IE 1837	2"	1"	0.118"		4', 6', 12'	ML
<b>T BAR - Rounded Inside - Structural</b>							
	IE 1936	1 1/2"	1 1/2"	3/16"	0.188"	12', 24'	ML
	IE 1938	2"	2"	1/4"	0.250"	20', 24'	ML

\*Radius Dimensions: R1 - 0.031", R2 - 0.063", R3 - 0.031"

**NOTE:** 4ft and 6ft product is in stock in the U.S. only.

**NOTE:** Minimum order quantities may apply on 20ft, 21ft and 24ft material.

**FINISHES:** AN-Anodized, BC-Brite Clear, ML-Mill, SB-Satin Black, SS-Stainless Steel Brushed



DRAWING	PART NUMBER	DIMENSIONS				LENGTH	FINISH
		E	A	T	I/R		
<b>SOLID BAR - Half Oval</b>							
	IE 2013	9/64"	3/8"			4', 6' 12'	AN AN, BC
	IE 2014	9/64"	1/2"			12'	AN, BC
	IE 2015	9/64"	11/16"			12'	AN, BC
	IE 2016	3/16"	3/4"			4', 6', 12'	AN, BC
	IE 2018	3/16"	1"			4', 6' 12'	AN
<b>SOLID BAR - Square</b>							
	IE 2406	1/4"	1/4"			4', 6' 12'	AN, BC AN, BC, ML
	IE 2408	1/2"	1/2"			4', 6' 12'	AN AN, ML
	IE 2409	3/4"	3/4"			12'	ML
	IE 2466	1"	1"			12'	ML
	IE 2490	1 1/2"	1 1/2"			12'	ML
<b>SOLID BAR - Rectangular</b>							
	IE 2312	1/16"	1/2"			6' 12'	AN AN, ML
	IE 2314	1/16"	3/4"			4', 6' 12'	AN AN, ML
	IE 2316	1/16"	1"			4', 6', 12'	AN, ML
	IE 2318	1/16"	1 1/2"			4', 6', 12'	AN, ML
	IE 2410	1/8"	3/8"			4', 6' 12'	AN AN, BC
	IE 2412	1/8"	1/2"			4', 6', 8', 12'	AN, BC, BK
	IE 2413	1/8"	5/8"			4', 6', 12'	AN
	IE 2414	1/8"	3/4"			4', 6' 8' 12' 20'	AN, BC, BS, SB AN AN, BC ML
	IE 2416	1/8"	1"			4', 6' 8' 12' 20', 24'	AN, BC, SB AN AN, BC ML

**NOTE:** 4ft and 6ft product is in stock in the U.S. only.

**NOTE:** Minimum order quantities may apply on 20ft, 21ft and 24ft material.

**FINISHES:** AN-Anodized, BC-Brite Clear, BK-Brite Black, BS-Brass, ML-Mill, SB-Satin Black





**STANDARD SHAPES**

DRAWING	PART NUMBER	DIMENSIONS				LENGTH	FINISH
		E	A	T	I/R		
<b>SOLID BAR - Rectangular</b>							
	IE 2418	1/8"	1 1/2"			4', 6' 12' 20'	AN, BC AN, BC, BZ, SB ML
	IE 2420	1/8"	2"			4', 6' 12' 20', 24'	AN AN, BS ML
	IE 2421	1/4"	1/2"			20'	ML
	IE 2426	1/8"	3"			4', 6', 12' 20'	AN ML
	IE 2428	1/8"	4"			4', 6', 12' 20'	AN ML
	IE 2429	1/4"	3/4"			12' 20'	AN, ML ML
	IE 2430	1/4"	1"			4', 6' 12' 20'	AN AN, BC, ML ML
	IE 2431*	1/4"	1 3/4"			12', 20'	ML
	IE 2432	1/4"	1 1/2"			4', 6' 12' 20'	AN AN, ML ML
	IE 2434	1/4"	2"			4', 6', 12' 20'	AN, ML ML
	IE 2436	3/8"	3/4"			12', 20'	ML
	IE 2437	1/4"	3"			12', 20'	ML
	IE 2438	3/8"	1"			12', 20'	ML
	IE 2439	1/4"	4"			12', 20'	ML
	IE 2440	1/4"	5"			12', 20'	ML
	IE 2441	3/4"	1"			10', 12', 20'	ML
	IE 2442	1/2"	3/4"			12', 20', 24'	ML
	IE 2443	1/4"	6"			12', 20'	ML
	IE 2444	1/2"	1"			12', 20'	ML

\*Min. 550 lb order qty on 12ft length only.

**NOTE:** 4ft and 6ft product is in stock in the U.S. only.

**NOTE:** Minimum order quantities may apply on 20ft, 21ft and 24ft material.

**FINISHES:** AN-Anodized, BC-Brite Clear, BS-Brass, BZ-Bronze, ML-Mill, SB-Satin Black



DRAWING	PART NUMBER	DIMENSIONS				LENGTH	FINISH
		E	A	T	I/R		
<b>SOLID BAR - Rectangular</b>							
	IE 2446	3/8"	2 1/2"			20'	ML
	IE 2447	3/16"	2 1/2"			20'	ML
	IE 2448	1/2"	1 1/2"			12', 20'	ML
	IE 2449	1/4"	3 1/2"			12', 20'	ML
	IE 2450	1/2"	2"			12', 20'	ML
	IE 2454	3/8"	1 1/2"			12', 20'	ML
	IE 2455	1/2"	3"			12', 20'	ML
	IE 2458	3/4"	3"			12', 20'	ML
	IE 2459	1/2"	4"			12', 20'	ML
	IE 2460	1/2"	5"			12'	ML
	IE 2461	1/4"	1 1/2"			12', 20'	ML
	IE 2468	1/4"	8"			12', 20'	ML
	IE 2470	1"	1 1/2"			12', 20'	ML
	IE 2473	3/8"	3"			12'	ML
	IE 2480	1"	2"			12', 20'	ML
IE 2482	1"	3"			12', 20'	ML	
<b>SOLID BAR - Round</b>							
	IE 2809	15/64"				12'	ML
	IE 2810	1/4"				4', 6' 12'	AN, BC, AN, BC, ML
	IE 2812	3/8"				4', 12' 24'	AN, ML ML
	IE 2814	1/2"				4', 6' 12'	AN ML
	IE 2815	5/8"				12'	ML
	IE 2816	3/4"				12'	BC, ML
	IE 2817	7/8"				12'	ML
	IE 2818	1"				12'	ML
	IE 2822	1 1/2"				12'	ML
	IE 2824	2"				12'	ML
	IE 2826	2 1/2"				12'	ML
	IE 2828	3"				12'	ML

**NOTE:** 4ft and 6ft product is in stock in the U.S. only.

**NOTE:** Minimum order quantities may apply on 20ft, 21ft and 24ft material.

**FINISHES:** AN-Anodized, BC-Brite Clear, ML-Mill



DRAWING	PART NUMBER	DIMENSIONS				LENGTH	FINISH
		E	A	T	I/R		
<b>HOLLOW TUBE - Round</b>							
	IE 3009	0.480"	0.039"			12'	ML
	IE 3012	1/2"	0.050"			4', 6', 12'	AN, BC
	IE 3014	5/8"	0.065"			4', 6', 12'	AN
	IE 3016	3/4"	0.050"			4', 6', 12'	AN
	IE 3017	3/4"	0.065"			12'	AN
						21'	ML
	IE 3018	7/8"	1/16"			4', 6', 12'	AN
						21'	ML
	IE 3030	1"	0.050"			4', 6'	AN
						12'	AN, BC
	IE 3034	1 1/2"	1/16"			4', 6', 12'	AN
						12', 24'	ML
	IE 3036*	2"	1/16"			12'	AN, ML
						20'	ML
	IE 3038	3"	1/16"			12'*	ML
	IE 3039	2"	1/8"			20'	ML
	IE 3040	1"	1/8"			12', 20'	ML
	IE 3042	1 1/2"	1/8"			12'	AN, ML
						20'	ML
	IE 3043	2 1/2"	1/16"			12'*	AN, ML
IE 3044	2 1/2"	1/8"			12'*	AN, ML	
IE 3046	3"	1/8"			12', 20'	ML	
IE 3048	4"	1/8"			12'	AN, ML	
					20'	ML	
IE 3050*	5"	1/8"			12'	AN, ML	
					20'	ML	
IE 3060	6"	1/8"			12'	AN, ML	

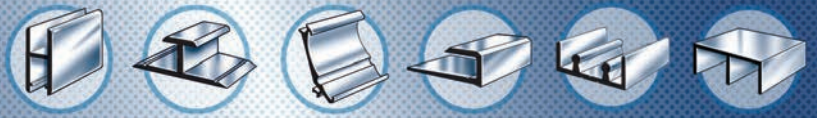
\*Min. 550 lb order qty on ML only.

**NOTE:** 4ft and 6ft product is in stock in the U.S. only.

**NOTE:** While some of our Round, Square and Rectangular Hollow Tubes might seem like they can fit inside one another, the only Tubes we guarantee will marry together are our Telescopic Tubes. All other Hollow Tubes are industry standard profiles that have not been designed to fit together.

**NOTE:** Minimum order quantities may apply on 20ft, 21ft and 24ft material.

**FINISHES:** AN-Anodized, BC-Brite Clear, ML-Mill



DRAWING	PART NUMBER	DIMENSIONS				LENGTH	FINISH
		E	A	T	I/R		
<b>HOLLOW TUBE - Square</b>							
	IE 3210	1/2"	1/2"	1/16"		4', 6' 12'	AN AN, ML
	IE 3211	5/8"	5/8"	1/16"		4', 6' 12'	AN AN, ML
	IE 3212	3/4"	3/4"	0.050"		4', 6', 12'	AN
	IE 3214	1"	1"	1/16"		4', 6' 12', 21' 24'	AN, BC AN, ML ML
	IE 3216	1 1/2"	1 1/2"	0.050"		4', 6' 4', 8' 12'	AN BC AN, ML
	IE 3228	3/4"	3/4"	1/8"		20'	AN, ML
	IE 3230	1"	1"	0.120"		4', 6' 12' 21', 24'	AN AN, ML AN, ML
	IE 3233	1 1/2"	1 1/2"	0.095"		21', 24'	ML
	IE 3234	1 1/2"	1 1/2"	1/8"		4', 6', 12' 21'	AN ML
	IE 3235	1 3/4"	1 3/4"	0.120"		21', 24'	ML
	IE 3236	2"	2"	1/8"		4', 6' 12', 20', 21', 24'	AN ML
	IE 3239	2 1/2"	2 1/2"	1/8"		12', 24'	ML
	IE 3240	3"	3"	0.125"		24'	ML
	IE 3260	4"	4"	1/4"		20'	ML

**NOTE:** 4ft and 6ft product is in stock in the U.S. only.

**NOTE:** While some of our Round, Square and Rectangular Hollow Tubes might seem like they can fit inside one another, the only Tubes we guarantee will marry together are our Telescopic Tubes. All other Hollow Tubes are industry standard profiles that have not been designed to fit together.

**NOTE:** Minimum order quantities may apply on 20ft, 21ft and 24ft material.

**FINISHES:** AN-Anodized, BC-Brite Clear, ML-Mill



DRAWING	PART NUMBER	DIMENSIONS				LENGTH	FINISH
		E	A	T	I/R		
<b>HOLLOW TUBE - Rectangular</b>							
	IE 3410	1"	1.5"	1/8"		12' 21'	AN, ML ML
	IE 3411*	1"	2"	0.095"		24'	ML
	IE 3412	1"	2"	1/8"		4', 6' 12'	AN AN, ML
	IE 3413	1"	2"	1/8"		24'	AN, ML
	IE 3414	1"	3"	0.120"		12' 24'	AN, ML ML
	IE 3416	1 1/4"	3"	1/8"		4', 6', 12'	AN
	IE 3419	1"	4"	1/8"		24'	ML
	IE 3420	2"	4"	1/8"		12'* 21' 24'	ML AN, ML ML
	IE 3423	1 1/2"	2"	1/8"		12'	ML
	IE 3426	2"	6"	1/8"		24'	ML
	IE 3428	1 3/4"	4"	1/8"		12'*	ML
	IE 3430	1 3/4"	5"	1/8"		12'*	ML
	IE 3433	1 3/4"	4"	3/32"		12'*	ML
	IE 3434	1 3/4"	4 1/2"	0.090"		21'*	ML
	<b>HOLLOW TUBE - Telescopic</b> (IE3213, IE3215 and IE3232 are the only telescopic tubes designed to fit together)						
	IE 3213	3/4"	3/4"	0.100"	**	12', 24'	ML
	IE 3215	1 1/4"	1 1/4"	0.090"	**	12', 24'	ML
	IE 3217	1 1/4"	1 1/4"	0.120"	**	12', 24'	ML
	IE 3219	1.530"	1.530"	1/8"	**	12', 24'	ML
	IE 3220	1"	1"	0.062"	**	12', 24'	ML
	IE 3232	1"	1"	0.120"	**	12', 24'	ML
	IE 3237	2"	2"	0.120"	**	20'	ML

\*Min. 550 lb order qty.

\*\* Radius Dimensions:

P/No.	Outside radius	Inside radius
IE-3213	0.100"	0.100"
IE-3215	0.188"	0.098"
IE-3217	0.188"	0.068"
IE-3219	0.200"	0.200"
IE-3220	0.162"	0.100"
IE-3232	0.120"	0.120"
IE-3237	0.188"	0.250"

**NOTE:** 4ft and 6ft product is in stock in the U.S. only.

**NOTE:** While some of our Round, Square and Rectangular Hollow Tubes might seem like they can fit inside one another, the only Tubes we guarantee will marry together are our Telescopic Tubes. All other Hollow Tubes are industry standard profiles that have not been designed to fit together.

**NOTE:** Minimum order quantities may apply on 20ft, 21ft and 24ft material.

**FINISHES:** AN-Anodized, ML-Mill



DRAWING	PART NUMBER	DIMENSIONS				LENGTH	FINISH
		E	A	T	I/R		
<b>THRESHOLD</b>							
	IE 5824***	1/4"	4"			3', 4', 6', 12'	ML
	IE 5825***	1/4"	5"			3', 4', 6', 12'	ML
	IE 5826***	1/4"	6"			3', 4', 6', 12'	ML
	IE 5834***	1/2"	4"			3', 4', 6', 12'	ML
	IE 5835***	1/2"	5"			3', 4', 6', 12'	ML
	IE 5836***	1/2"	6"			3', 4', 6', 12'	ML
	IE 5847	0.185"	2 1/2"			4', 6', 12'	ML

**\*\*\*Threshold Details:**

3, 4 and 6 foot lengths are drilled.  
12 foot lengths are not drilled.